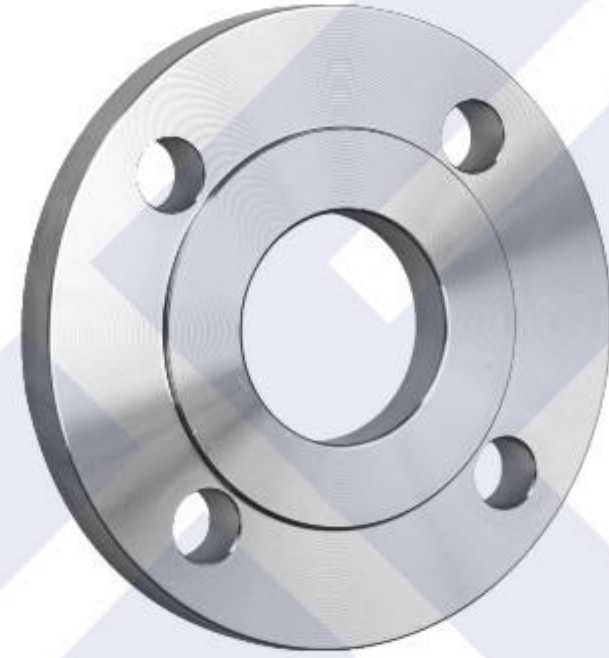
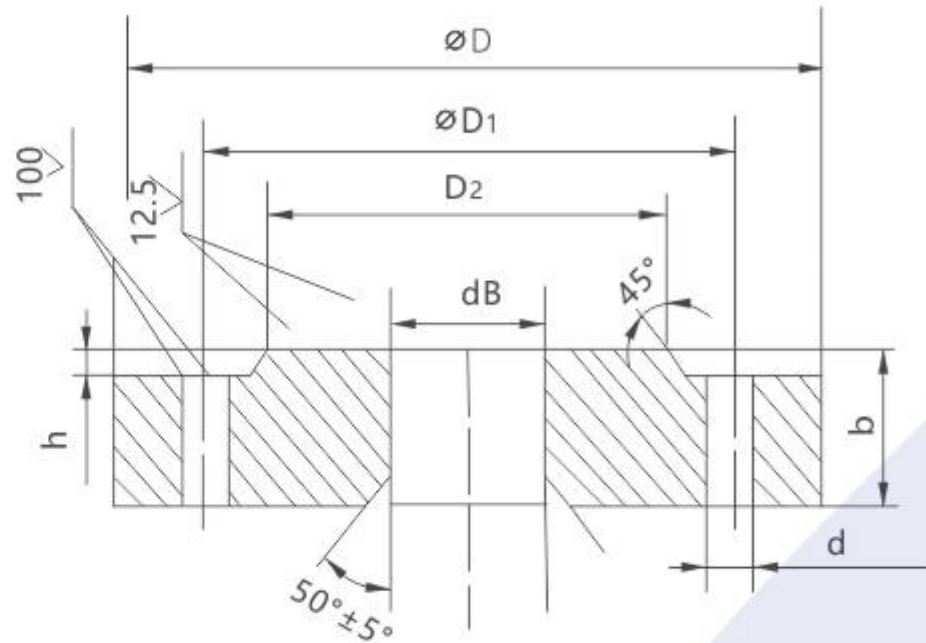


## 平焊法兰GOST-33259-2015(PL)

SLIP-ON WELDING FLANGE



PN6 GOST 33259-2015 Type 01 Char.B

(mm)

| DN  | dB  | D   | D1  | D2  | h | b  | d  | No of holes | Weight kg |
|-----|-----|-----|-----|-----|---|----|----|-------------|-----------|
| 10  | 15  | 75  | 50  | 35  | 2 | 12 | 11 | 4           | 0.31      |
| 15  | 19  | 80  | 55  | 40  | 2 | 12 | 11 | 4           | 0.33      |
| 20  | 26  | 90  | 65  | 50  | 2 | 14 | 11 | 4           | 0.53      |
| 25  | 33  | 100 | 75  | 60  | 2 | 14 | 11 | 4           | 0.64      |
| 32  | 39  | 120 | 90  | 70  | 2 | 15 | 14 | 4           | 1.01      |
| 40  | 46  | 130 | 100 | 80  | 3 | 16 | 14 | 4           | 1.21      |
| 50  | 59  | 140 | 110 | 90  | 3 | 16 | 14 | 4           | 1.33      |
| 65  | 78  | 160 | 130 | 100 | 3 | 16 | 14 | 4           | 1.63      |
| 80  | 91  | 185 | 150 | 128 | 3 | 18 | 18 | 4           | 2.44      |
| 100 | 110 | 205 | 170 | 148 | 3 | 18 | 18 | 4           | 2.85      |
| 125 | 135 | 235 | 200 | 178 | 3 | 20 | 18 | 8           | 3.88      |
| 150 | 161 | 260 | 225 | 202 | 3 | 20 | 18 | 8           | 4.39      |
| 200 | 222 | 315 | 280 | 258 | 3 | 22 | 18 | 8           | 5.89      |
| 250 | 273 | 370 | 335 | 312 | 3 | 23 | 18 | 12          | 7.67      |
| 300 | 325 | 435 | 395 | 365 | 4 | 24 | 22 | 12          | 10.28     |
| 350 | 377 | 485 | 445 | 415 | 4 | 26 | 22 | 12          | 12.58     |
| 400 | 426 | 535 | 495 | 465 | 4 | 28 | 22 | 16          | 15.2      |
| 450 | 480 | 590 | 550 | 520 | 4 | 28 | 22 | 16          | 17.25     |
| 500 | 530 | 640 | 600 | 570 | 4 | 29 | 22 | 16          | 19.72     |
| 600 | 630 | 755 | 705 | 670 | 5 | 30 | 26 | 20          | 26.24     |
| 700 | 720 | 860 | 810 | 775 | 5 | 32 | 26 | 24          | 36.68     |
| 800 | 820 | 975 | 920 | 880 | 5 | 32 | 30 | 24          | 46.14     |

**PN10** GOST 33259-2015 Type 01 Char.B

(mm)

| DN   | dB   | D    | D1   | D2   | h | b  | d  | No of holes | Weight kg |
|------|------|------|------|------|---|----|----|-------------|-----------|
| 10   | 15   | 90   | 60   | 42   | 2 | 12 | 14 | 4           | 0.46      |
| 15   | 19   | 95   | 65   | 47   | 2 | 12 | 14 | 4           | 0.51      |
| 20   | 26   | 105  | 75   | 58   | 2 | 14 | 14 | 4           | 0.74      |
| 25   | 33   | 115  | 85   | 68   | 2 | 14 | 14 | 4           | 0.89      |
| 32   | 39   | 135  | 100  | 78   | 2 | 16 | 18 | 4           | 1.4       |
| 40   | 46   | 145  | 110  | 88   | 3 | 18 | 18 | 4           | 1.71      |
| 50   | 59   | 160  | 125  | 102  | 3 | 18 | 18 | 4           | 2.06      |
| 65   | 78   | 180  | 145  | 122  | 3 | 20 | 18 | 4           | 2.8       |
| 80   | 91   | 195  | 160  | 133  | 3 | 20 | 18 | 4           | 3.19      |
| 100  | 110  | 215  | 180  | 158  | 3 | 22 | 18 | 8           | 3.96      |
| 125  | 135  | 245  | 210  | 184  | 3 | 24 | 18 | 8           | 5.4       |
| 150  | 161  | 280  | 240  | 212  | 3 | 24 | 22 | 8           | 6.62      |
| 200  | 222  | 335  | 295  | 268  | 3 | 24 | 22 | 8           | 8.05      |
| 250  | 273  | 390  | 350  | 320  | 3 | 26 | 22 | 12          | 10.65     |
| 300  | 325  | 440  | 400  | 370  | 4 | 28 | 22 | 12          | 12.9      |
| 350  | 377  | 500  | 460  | 430  | 4 | 28 | 22 | 16          | 15.85     |
| 400  | 426  | 565  | 515  | 482  | 4 | 30 | 26 | 16          | 21.56     |
| 500  | 530  | 670  | 620  | 585  | 4 | 32 | 26 | 20          | 27.7      |
| 600  | 630  | 780  | 725  | 685  | 5 | 36 | 30 | 24          | 39.4      |
| 700  | 720  | 895  | 840  | 800  | 5 | 39 | 30 | 24          | 59.46     |
| 800  | 820  | 1010 | 950  | 905  | 5 | 42 | 33 | 24          | 79.16     |
| 900  | 920  | 1110 | 1050 | 1005 | 5 | 45 | 33 | 28          | 94.13     |
| 1000 | 1020 | 1220 | 1160 | 1110 | 5 | 48 | 33 | 28          | 118.43    |
| 1200 | 1222 | 1455 | 1380 | 1330 | 5 | 56 | 39 | 32          | 197.44    |
| 1400 | 1420 | 1675 | 1590 | 1530 | 5 | 65 | 45 | 36          | 278.92    |
| 1600 | 1620 | 1915 | 1820 | 1750 | 5 | 75 | 52 | 40          | 422.65    |

**PN16** GOST 33259-2015 Type 01 Char.B

(mm)

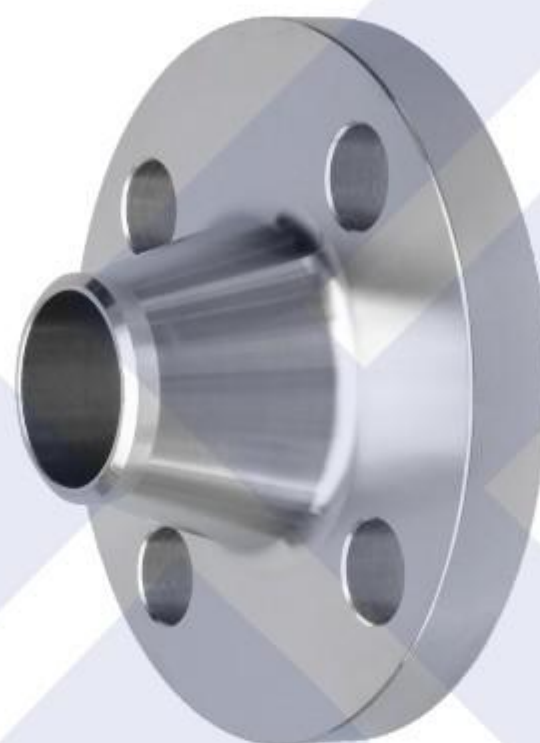
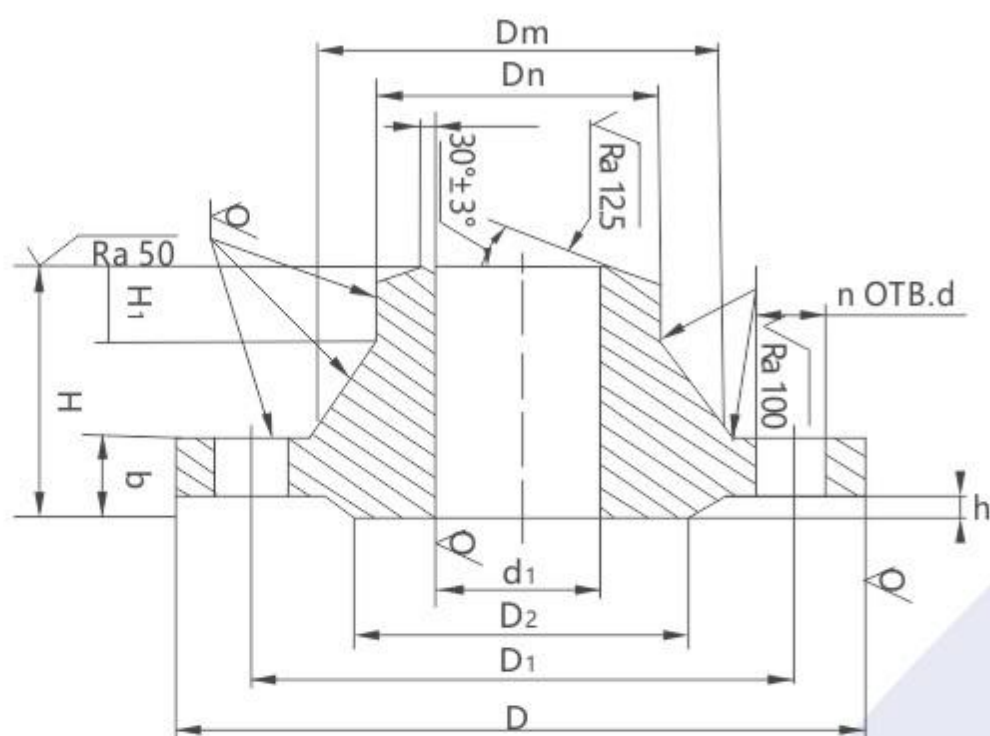
| DN   | dB   | D    | D1   | D2   | h | b  | d  | No of holes | Weight kg |
|------|------|------|------|------|---|----|----|-------------|-----------|
| 10   | 15   | 90   | 60   | 42   | 2 | 14 | 14 | 4           | 0.54      |
| 15   | 19   | 95   | 65   | 47   | 2 | 14 | 14 | 4           | 0.61      |
| 20   | 26   | 105  | 75   | 58   | 2 | 16 | 14 | 4           | 0.86      |
| 25   | 33   | 115  | 85   | 68   | 2 | 18 | 14 | 4           | 1.17      |
| 32   | 39   | 135  | 100  | 78   | 2 | 18 | 18 | 4           | 1.58      |
| 40   | 46   | 145  | 110  | 88   | 3 | 20 | 18 | 4           | 1.96      |
| 50   | 59   | 160  | 125  | 102  | 3 | 22 | 18 | 4           | 2.58      |
| 65   | 78   | 180  | 145  | 122  | 3 | 24 | 18 | 4           | 3.42      |
| 80   | 91   | 195  | 160  | 133  | 3 | 24 | 18 | 4           | 3.71      |
| 100  | 110  | 215  | 180  | 158  | 3 | 26 | 18 | 8           | 4.73      |
| 125  | 135  | 245  | 210  | 184  | 3 | 28 | 18 | 8           | 6.38      |
| 150  | 161  | 280  | 240  | 212  | 3 | 28 | 22 | 8           | 7.81      |
| 200  | 222  | 335  | 295  | 268  | 3 | 30 | 22 | 12          | 10.1      |
| 250  | 273  | 405  | 355  | 320  | 3 | 31 | 26 | 12          | 14.49     |
| 300  | 325  | 460  | 410  | 370  | 4 | 32 | 26 | 12          | 17.78     |
| 350  | 377  | 520  | 470  | 430  | 4 | 34 | 26 | 16          | 22.88     |
| 400  | 426  | 580  | 525  | 482  | 4 | 38 | 30 | 16          | 31        |
| 500  | 530  | 710  | 650  | 585  | 4 | 48 | 33 | 20          | 57.01     |
| 600  | 630  | 840  | 770  | 685  | 5 | 50 | 39 | 20          | 80.03     |
| 700  | 720  | 910  | 840  | 800  | 5 | 52 | 39 | 24          | 84.21     |
| 800  | 820  | 1020 | 950  | 905  | 5 | 54 | 39 | 24          | 104.41    |
| 900  | 920  | 1120 | 1050 | 1005 | 5 | 59 | 39 | 28          | 128.6     |
| 1000 | 1020 | 1255 | 1170 | 1110 | 5 | 63 | 45 | 28          | 179.37    |
| 1200 | 1220 | 1485 | 1380 | 1330 | 5 | 76 | 52 | 32          | 297.78    |

PN25 GOST 33259-2015 Type 01 Char.B

(mm)

| DN  | dB  | D    | D1  | D2  | h | b  | d  | No of holes | Weight kg |
|-----|-----|------|-----|-----|---|----|----|-------------|-----------|
| 10  | 15  | 90   | 60  | 42  | 2 | 16 | 14 | 4           | 0.63      |
| 15  | 19  | 95   | 65  | 47  | 2 | 16 | 14 | 4           | 0.7       |
| 20  | 26  | 105  | 75  | 58  | 2 | 18 | 14 | 4           | 0.98      |
| 25  | 33  | 115  | 85  | 68  | 2 | 18 | 14 | 4           | 1.17      |
| 32  | 39  | 135  | 100 | 78  | 2 | 20 | 18 | 4           | 1.77      |
| 40  | 46  | 145  | 110 | 88  | 3 | 22 | 18 | 4           | 2.18      |
| 50  | 59  | 160  | 125 | 102 | 3 | 24 | 18 | 4           | 2.71      |
| 65  | 78  | 180  | 145 | 122 | 3 | 24 | 18 | 8           | 3.22      |
| 80  | 91  | 195  | 160 | 133 | 3 | 26 | 18 | 8           | 4.06      |
| 100 | 110 | 230  | 190 | 158 | 3 | 28 | 22 | 8           | 5.92      |
| 125 | 135 | 270  | 220 | 184 | 3 | 30 | 26 | 8           | 8.26      |
| 150 | 161 | 300  | 250 | 212 | 3 | 30 | 26 | 8           | 10.12     |
| 200 | 222 | 360  | 310 | 278 | 3 | 32 | 26 | 12          | 13.34     |
| 250 | 273 | 425  | 370 | 335 | 3 | 34 | 30 | 12          | 18.9      |
| 300 | 325 | 485  | 430 | 390 | 4 | 36 | 30 | 16          | 23.95     |
| 350 | 377 | 550  | 490 | 450 | 4 | 42 | 33 | 16          | 34.35     |
| 400 | 426 | 610  | 550 | 505 | 4 | 44 | 33 | 16          | 44.62     |
| 500 | 530 | 730  | 660 | 615 | 4 | 52 | 39 | 20          | 67.3      |
| 600 | 630 | 840  | 770 | 720 | 5 | 54 | 39 | 20          | 90.87     |
| 700 | 720 | 960  | 875 | 820 | 5 | 60 | 45 | 24          | 126.82    |
| 800 | 820 | 1075 | 990 | 930 | 5 | 68 | 45 | 24          | 181.43    |

## 对焊法兰GOST-33259-2015(WN) WELDING NECK FLANGE



PN0.6 GOST 33259-2015 Type 01 Char.B

(mm)

| DN   | 外径   | 孔距   | 密封面  | 大径   | 小径   | 内孔   | 厚度 | h | 总高  | 颈口高 | 孔径 | 孔数 | 理重     |
|------|------|------|------|------|------|------|----|---|-----|-----|----|----|--------|
|      | D    | D1   | D2   | Dm   | Dn   | d1   | b  |   | H   | H1  |    |    |        |
| 10   | 75   | 50   | 35   | 22   | 15   | 8    | 12 | 2 | 29  | 6   | 11 | 4  | 0.34   |
| 15   | 80   | 55   | 40   | 28   | 19   | 12   | 12 | 2 | 30  | 6   | 11 | 4  | 0.40   |
| 20   | 90   | 65   | 50   | 36   | 26   | 18   | 12 | 2 | 32  | 6   | 11 | 4  | 0.53   |
| 25   | 100  | 75   | 60   | 42   | 33   | 25   | 14 | 2 | 32  | 6   | 11 | 4  | 0.76   |
| 32   | 120  | 90   | 70   | 50   | 39   | 31   | 14 | 2 | 35  | 6   | 14 | 4  | 1.10   |
| 40   | 130  | 100  | 80   | 60   | 46   | 38   | 15 | 3 | 38  | 7   | 14 | 4  | 1.36   |
| 50   | 140  | 110  | 90   | 70   | 58   | 49   | 15 | 3 | 38  | 8   | 14 | 4  | 1.53   |
| 65   | 160  | 130  | 110  | 88   | 77   | 66   | 15 | 3 | 38  | 9   | 14 | 4  | 1.97   |
| 80   | 185  | 150  | 128  | 102  | 90   | 78   | 16 | 3 | 40  | 10  | 18 | 4  | 2.76   |
| 100  | 205  | 170  | 148  | 122  | 110  | 96   | 16 | 3 | 41  | 10  | 18 | 4  | 3.35   |
| 125  | 235  | 200  | 178  | 148  | 135  | 121  | 18 | 3 | 43  | 10  | 18 | 8  | 4.66   |
| 150  | 260  | 225  | 202  | 172  | 161  | 146  | 18 | 3 | 46  | 12  | 18 | 8  | 5.37   |
| 200  | 315  | 280  | 258  | 235  | 222  | 202  | 20 | 3 | 53  | 15  | 18 | 8  | 8.37   |
| 250  | 370  | 335  | 312  | 288  | 278  | 254  | 21 | 3 | 53  | 15  | 18 | 12 | 10.99  |
| 300  | 435  | 395  | 365  | 340  | 330  | 303  | 22 | 4 | 54  | 15  | 18 | 12 | 14.82  |
| 350  | 485  | 445  | 415  | 390  | 382  | 351  | 22 | 4 | 54  | 15  | 22 | 12 | 17.69  |
| 400  | 535  | 495  | 465  | 440  | 382  | 332  | 22 | 4 | 54  | 15  | 22 | 16 | 20.55  |
| 450  | 590  | 550  | 520  | 494  | 484  | 450  | 22 | 4 | 54  | 15  | 22 | 16 | 23.60  |
| 500  | 640  | 600  | 570  | 545  | 535  | 501  | 23 | 4 | 54  | 15  | 22 | 16 | 26.63  |
| 600  | 755  | 705  | 670  | 650  | 636  | 602  | 24 | 5 | 60  | 16  | 26 | 20 | 35.79  |
| 700  | 860  | 810  | 775  | 740  | 726  | 692  | 24 | 5 | 60  | 16  | 26 | 24 | 44.31  |
| 800  | 975  | 920  | 880  | 844  | 826  | 792  | 24 | 5 | 65  | 16  | 30 | 24 | 56.17  |
| 900  | 1075 | 1020 | 980  | 944  | 926  | 892  | 26 | 5 | 65  | 16  | 30 | 24 | 66.80  |
| 1000 | 1175 | 1120 | 1080 | 1044 | 1028 | 992  | 26 | 5 | 65  | 16  | 30 | 28 | 73.51  |
| 1200 | 1400 | 1340 | 1295 | 1248 | 1228 | 1192 | 28 | 5 | 75  | 20  | 33 | 32 | 111.43 |
| 1400 | 1620 | 1560 | 1510 | 1456 | 1428 | 1392 | 32 | 5 | 90  | 20  | 33 | 36 | 156.58 |
| 1600 | 1820 | 1760 | 1710 | 1660 | 1628 | 1592 | 37 | 5 | 100 | 20  | 33 | 40 | 218.57 |

## PN1.0 GOST 33259-2015 Type 01 Char.B

(mm)

| DN   | 外径   | 孔距   | 密封面  | 大径   | 小径   | 内孔   | 厚度 | h | 总高 | 颈口高 | 孔径 | 孔数 | 理重     |
|------|------|------|------|------|------|------|----|---|----|-----|----|----|--------|
|      | D    | D1   | D2   | Dm   | Dn   | d1   | b  |   | H  | H1  |    |    |        |
| 10   | 90   | 60   | 42   | 25   | 15   | 8    | 12 | 2 | 35 | 6   | 14 | 4  | 0.50   |
| 15   | 95   | 65   | 47   | 30   | 19   | 12   | 12 | 2 | 35 | 6   | 14 | 4  | 0.58   |
| 20   | 105  | 75   | 58   | 38   | 26   | 18   | 14 | 2 | 38 | 6   | 14 | 4  | 0.87   |
| 25   | 115  | 85   | 68   | 45   | 33   | 25   | 14 | 2 | 40 | 6   | 14 | 4  | 1.05   |
| 32   | 135  | 100  | 78   | 55   | 39   | 31   | 15 | 2 | 42 | 6   | 18 | 4  | 1.54   |
| 40   | 145  | 110  | 88   | 62   | 46   | 38   | 16 | 3 | 45 | 7   | 18 | 4  | 1.83   |
| 50   | 160  | 125  | 102  | 76   | 58   | 49   | 16 | 3 | 45 | 8   | 18 | 4  | 2.26   |
| 65   | 180  | 145  | 122  | 94   | 77   | 66   | 18 | 3 | 48 | 10  | 18 | 4  | 3.17   |
| 80   | 195  | 160  | 133  | 105  | 90   | 78   | 18 | 3 | 50 | 10  | 18 | 4  | 3.67   |
| 100  | 215  | 180  | 158  | 128  | 110  | 96   | 20 | 3 | 51 | 12  | 18 | 8  | 4.70   |
| 125  | 245  | 210  | 184  | 156  | 135  | 121  | 22 | 3 | 60 | 12  | 18 | 8  | 6.71   |
| 150  | 280  | 240  | 212  | 180  | 161  | 146  | 22 | 3 | 60 | 12  | 22 | 8  | 8.17   |
| 200  | 335  | 295  | 268  | 240  | 222  | 202  | 22 | 3 | 61 | 16  | 22 | 8  | 11.35  |
| 250  | 390  | 350  | 320  | 290  | 278  | 254  | 24 | 3 | 63 | 16  | 22 | 12 | 14.64  |
| 300  | 440  | 400  | 370  | 345  | 330  | 303  | 26 | 4 | 64 | 16  | 22 | 12 | 18.66  |
| 350  | 500  | 460  | 430  | 400  | 382  | 351  | 26 | 4 | 64 | 16  | 22 | 16 | 24.00  |
| 400  | 565  | 515  | 482  | 445  | 382  | 398  | 26 | 4 | 64 | 16  | 26 | 16 | 30.00  |
| 450  | 615  | 565  | 532  | 500  | 484  | 450  | 26 | 4 | 69 | 16  | 26 | 20 | 34.70  |
| 500  | 670  | 620  | 585  | 550  | 535  | 501  | 28 | 4 | 69 | 16  | 26 | 20 | 39.20  |
| 600  | 780  | 725  | 685  | 650  | 636  | 602  | 29 | 5 | 70 | 18  | 30 | 20 | 48.80  |
| 700  | 895  | 840  | 800  | 744  | 726  | 692  | 30 | 5 | 70 | 18  | 30 | 24 | 65.26  |
| 800  | 1010 | 950  | 905  | 850  | 826  | 792  | 32 | 5 | 80 | 18  | 33 | 24 | 87.24  |
| 900  | 1110 | 1050 | 1005 | 950  | 926  | 892  | 34 | 5 | 85 | 20  | 33 | 28 | 103.02 |
| 1000 | 1220 | 1160 | 1110 | 1050 | 1028 | 992  | 34 | 5 | 85 | 20  | 33 | 28 | 119.19 |
| 1200 | 1455 | 1380 | 1330 | 1256 | 1228 | 1192 | 38 | 5 | 95 | 25  | 39 | 32 | 179.91 |

## PN1.6 GOST 33259-2015 Type 01 Char.B

(mm)

| DN   | 外径   | 孔距   | 密封面  | 大径   | 小径   | 内孔   | 厚度 | h | 总高  | 颈口高 | 孔径 | 孔数 | 理重     |
|------|------|------|------|------|------|------|----|---|-----|-----|----|----|--------|
|      | D    | D1   | D2   | Dm   | Dn   | d1   | b  |   | H   | H1  |    |    |        |
| 10   | 90   | 60   | 42   | 26   | 15   | 8    | 14 | 2 | 35  | 6   | 14 | 4  | 0.59   |
| 15   | 95   | 65   | 47   | 30   | 19   | 12   | 14 | 2 | 35  | 6   | 14 | 4  | 0.68   |
| 20   | 105  | 75   | 58   | 38   | 26   | 18   | 14 | 2 | 38  | 6   | 14 | 4  | 0.87   |
| 25   | 115  | 85   | 68   | 45   | 33   | 25   | 14 | 2 | 40  | 6   | 14 | 4  | 1.05   |
| 32   | 135  | 100  | 78   | 55   | 39   | 31   | 15 | 2 | 42  | 6   | 18 | 4  | 1.54   |
| 40   | 145  | 110  | 88   | 64   | 46   | 38   | 16 | 3 | 45  | 7   | 18 | 4  | 1.85   |
| 50   | 160  | 125  | 102  | 76   | 58   | 49   | 16 | 3 | 48  | 8   | 18 | 4  | 2.28   |
| 65   | 180  | 145  | 122  | 94   | 77   | 66   | 18 | 3 | 50  | 10  | 18 | 4  | 3.19   |
| 80   | 195  | 160  | 133  | 110  | 90   | 78   | 20 | 3 | 53  | 10  | 18 | 4  | 4.21   |
| 100  | 215  | 180  | 158  | 130  | 110  | 96   | 20 | 3 | 53  | 12  | 18 | 8  | 4.90   |
| 125  | 245  | 210  | 184  | 156  | 135  | 121  | 22 | 3 | 60  | 12  | 18 | 8  | 6.75   |
| 150  | 280  | 240  | 212  | 180  | 161  | 146  | 22 | 3 | 60  | 12  | 22 | 8  | 8.30   |
| 200  | 335  | 295  | 268  | 240  | 222  | 202  | 24 | 3 | 61  | 16  | 22 | 12 | 11.79  |
| 250  | 405  | 355  | 320  | 292  | 278  | 254  | 26 | 3 | 68  | 16  | 26 | 12 | 17.36  |
| 300  | 460  | 410  | 370  | 346  | 330  | 303  | 28 | 4 | 70  | 16  | 26 | 12 | 22.76  |
| 350  | 520  | 470  | 430  | 400  | 382  | 351  | 32 | 4 | 74  | 16  | 26 | 16 | 32.04  |
| 400  | 580  | 525  | 482  | 450  | 432  | 398  | 36 | 4 | 79  | 16  | 30 | 16 | 43.00  |
| 450  | 640  | 585  | 532  | 506  | 484  | 450  | 38 | 4 | 89  | 16  | 30 | 20 | 54.00  |
| 500  | 710  | 650  | 585  | 559  | 535  | 501  | 42 | 4 | 94  | 16  | 33 | 20 | 70.97  |
| 600  | 840  | 770  | 685  | 660  | 636  | 602  | 46 | 5 | 95  | 18  | 39 | 20 | 99.30  |
| 700  | 910  | 840  | 800  | 750  | 726  | 692  | 48 | 5 | 100 | 18  | 39 | 24 | 105.90 |
| 800  | 1020 | 950  | 905  | 850  | 826  | 792  | 50 | 5 | 100 | 20  | 39 | 24 | 130.57 |
| 900  | 1120 | 1050 | 1005 | 958  | 926  | 892  | 52 | 5 | 115 | 20  | 39 | 28 | 157.83 |
| 1000 | 1255 | 1170 | 1110 | 1060 | 1028 | 992  | 54 | 5 | 115 | 22  | 45 | 28 | 203.39 |
| 1200 | 1485 | 1390 | 1330 | 1268 | 1228 | 1192 | 56 | 5 | 130 | 30  | 52 | 32 | 284.94 |

PN2.5 GOST 33259-2015 Type 01 Char.B

(mm)

| DN   | 外径   | 孔距   | 密封面  | 大径   | 小径   | 内孔   | 厚度 | h | 总高  | 颈口高 | 孔径 | 孔数 | 理重     |
|------|------|------|------|------|------|------|----|---|-----|-----|----|----|--------|
|      | D    | D1   | D2   | Dm   | Dn   | d1   | b  |   | H   | H1  |    |    |        |
| 10   | 90   | 60   | 42   | 26   | 15   | 8    | 16 | 2 | 35  | 14  | 6  | 4  | 0.68   |
| 15   | 95   | 65   | 47   | 30   | 19   | 12   | 16 | 2 | 35  | 14  | 6  | 4  | 0.79   |
| 20   | 105  | 75   | 58   | 38   | 26   | 18   | 16 | 2 | 36  | 14  | 6  | 4  | 0.97   |
| 25   | 115  | 85   | 68   | 45   | 33   | 25   | 16 | 2 | 38  | 14  | 6  | 4  | 1.18   |
| 32   | 135  | 100  | 78   | 56   | 39   | 31   | 18 | 2 | 45  | 18  | 6  | 4  | 1.83   |
| 40   | 145  | 110  | 88   | 64   | 46   | 38   | 19 | 3 | 48  | 18  | 7  | 4  | 2.19   |
| 50   | 160  | 125  | 102  | 76   | 58   | 49   | 20 | 3 | 48  | 18  | 8  | 4  | 2.78   |
| 65   | 180  | 145  | 122  | 96   | 77   | 66   | 22 | 3 | 53  | 18  | 10 | 8  | 3.71   |
| 80   | 195  | 160  | 133  | 110  | 90   | 78   | 22 | 3 | 55  | 18  | 12 | 8  | 4.44   |
| 100  | 230  | 190  | 158  | 132  | 110  | 96   | 24 | 3 | 61  | 22  | 12 | 8  | 6.51   |
| 125  | 270  | 220  | 184  | 160  | 135  | 121  | 26 | 3 | 68  | 26  | 12 | 8  | 9.41   |
| 150  | 300  | 250  | 212  | 186  | 161  | 146  | 28 | 3 | 71  | 26  | 12 | 8  | 12.52  |
| 200  | 360  | 310  | 278  | 245  | 222  | 202  | 30 | 3 | 78  | 26  | 16 | 12 | 17.44  |
| 250  | 425  | 370  | 335  | 300  | 278  | 254  | 32 | 3 | 78  | 30  | 18 | 12 | 24.40  |
| 300  | 485  | 430  | 390  | 352  | 330  | 303  | 36 | 4 | 84  | 30  | 18 | 16 | 33.29  |
| 350  | 550  | 490  | 450  | 406  | 382  | 351  | 40 | 4 | 89  | 33  | 20 | 16 | 46.57  |
| 400  | 610  | 550  | 505  | 464  | 432  | 398  | 44 | 4 | 104 | 33  | 20 | 16 | 64.81  |
| 450  | 660  | 600  | 555  | 515  | 484  | 450  | 46 | 4 | 104 | 33  | 20 | 20 | 72.30  |
| 500  | 730  | 660  | 615  | 570  | 535  | 500  | 48 | 4 | 104 | 39  | 20 | 20 | 88.91  |
| 600  | 840  | 770  | 720  | 670  | 636  | 600  | 54 | 5 | 120 | 39  | 20 | 20 | 123.70 |
| 700  | 960  | 875  | 820  | 766  | 726  | 690  | 58 | 5 | 130 | 45  | 20 | 24 | 166.81 |
| 800  | 1075 | 990  | 930  | 874  | 826  | 790  | 60 | 5 | 140 | 45  | 22 | 24 | 213.90 |
| 900  | 1185 | 1090 | 1030 | 980  | 926  | 892  | 62 | 5 | 150 | 52  | 24 | 28 | 253.00 |
| 1000 | 1315 | 1210 | 1140 | 1084 | 1028 | 992  | 64 | 5 | 155 | 56  | 24 | 28 | 312.00 |
| 1200 | 1525 | 1420 | 1350 | 1288 | 1228 | 1192 | 67 | 5 | 165 | 56  | 30 | 32 | 388.00 |

PN4.0 GOST 33259-2015 Type 01 Char.B

(mm)

| DN   | 外径   | 孔距   | 密封面  | 大径   | 小径   | 内孔   | 厚度 | h | 总高  | 颈口高 | 孔径 | 孔数 | 理重     |
|------|------|------|------|------|------|------|----|---|-----|-----|----|----|--------|
|      | D    | D1   | D2   | Dm   | Dn   | d1   | b  |   | H   | H1  |    |    |        |
| 10   | 90   | 60   | 42   | 26   | 15   | 8    | 16 | 2 | 35  | 6   | 14 | 4  | 0.68   |
| 15   | 95   | 65   | 47   | 30   | 19   | 12   | 16 | 2 | 35  | 6   | 14 | 4  | 0.79   |
| 20   | 105  | 75   | 58   | 38   | 26   | 18   | 16 | 2 | 36  | 6   | 14 | 4  | 0.97   |
| 25   | 115  | 85   | 68   | 45   | 33   | 25   | 16 | 2 | 38  | 6   | 14 | 4  | 1.18   |
| 32   | 135  | 100  | 78   | 56   | 39   | 31   | 18 | 2 | 45  | 6   | 18 | 4  | 1.83   |
| 40   | 145  | 110  | 88   | 64   | 46   | 38   | 19 | 3 | 48  | 7   | 18 | 4  | 2.19   |
| 50   | 160  | 125  | 102  | 76   | 58   | 48   | 20 | 3 | 48  | 8   | 18 | 4  | 2.81   |
| 65   | 180  | 145  | 122  | 96   | 77   | 66   | 22 | 3 | 53  | 10  | 18 | 8  | 3.71   |
| 80   | 195  | 160  | 133  | 112  | 90   | 78   | 24 | 3 | 58  | 12  | 18 | 8  | 4.80   |
| 100  | 230  | 190  | 158  | 138  | 110  | 96   | 26 | 3 | 68  | 12  | 22 | 8  | 7.40   |
| 125  | 270  | 220  | 184  | 160  | 135  | 120  | 28 | 3 | 68  | 12  | 26 | 8  | 10.00  |
| 150  | 300  | 250  | 212  | 186  | 161  | 145  | 30 | 3 | 71  | 12  | 26 | 8  | 13.03  |
| 200  | 375  | 320  | 285  | 250  | 222  | 200  | 38 | 3 | 88  | 16  | 30 | 12 | 24.44  |
| 250  | 445  | 385  | 345  | 310  | 278  | 252  | 42 | 3 | 101 | 18  | 33 | 12 | 37.59  |
| 300  | 510  | 450  | 410  | 368  | 330  | 301  | 46 | 4 | 116 | 18  | 33 | 16 | 57.10  |
| 350  | 570  | 510  | 465  | 418  | 382  | 351  | 52 | 4 | 120 | 20  | 33 | 16 | 70.34  |
| 400  | 655  | 585  | 535  | 480  | 432  | 398  | 58 | 4 | 139 | 20  | 39 | 16 | 106.76 |
| 450  | 680  | 610  | 560  | 530  | 484  | 448  | 60 | 4 | 139 | 20  | 39 | 20 | 107.00 |
| 500  | 755  | 670  | 615  | 580  | 535  | 495  | 62 | 4 | 144 | 20  | 45 | 20 | 132.33 |
| 600  | 890  | 795  | 735  | 686  | 636  | 595  | 63 | 5 | 145 | 20  | 52 | 20 | 180.95 |
| 700  | 995  | 900  | 840  | 790  | 726  | 695  | 68 | 5 | 165 | 20  | 52 | 24 | 228.25 |
| 800  | 1135 | 1030 | 960  | 908  | 826  | 795  | 76 | 5 | 195 | 22  | 56 | 24 | 367.40 |
| 900  | 1250 | 1140 | 1070 | 1024 | 926  | 895  | 79 | 5 | 220 | 24  | 56 | 28 | 437.00 |
| 1000 | 1360 | 1250 | 1180 | 1140 | 1028 | 995  | 82 | 5 | 240 | 24  | 56 | 28 | 541.00 |
| 1200 | 1575 | 1460 | 1380 | 1350 | 1228 | 1195 | 85 | 5 | 255 | 30  | 62 | 32 | 691.00 |

## PN6.3 GOST 33259-2015 Type 01 Char.B

(mm)

| DN   | 外径   | 孔距   | 密封面  | 大径   | 小径   | 内孔   | 厚度  | h | 总高  | 颈口高  | 孔径 | 孔数 | 理重      |
|------|------|------|------|------|------|------|-----|---|-----|------|----|----|---------|
|      | D    | D1   | D2   | Dm   | Dn   | d1   | b   |   | H   | H1   |    |    |         |
| 10   | 100  | 70   | 50*  | 34   | 15   | 8    | 18  | 2 | 48  | 6    | 14 | 4  | 1.03    |
| 15   | 105  | 75   | 55*  | 38   | 19   | 12   | 18  | 2 | 48  | 6    | 14 | 4  | 1.15    |
| 20   | 125  | 90   | 58   | 48   | 26   | 18   | 20  | 2 | 56  | 8    | 18 | 4  | 1.80    |
| 25   | 135  | 100  | 68   | 52   | 33   | 25   | 22  | 2 | 58  | 8    | 18 | 4  | 2.30    |
| 32   | 150  | 110  | 78   | 64   | 39   | 31   | 23  | 2 | 62  | 8    | 22 | 4  | 2.94    |
| 40   | 165  | 125  | 88   | 74   | 46   | 37   | 24  | 3 | 68  | 10   | 22 | 4  | 3.75    |
| 50   | 175  | 135  | 102  | 86   | 58   | 47   | 26  | 3 | 70  | 10   | 22 | 4  | 4.63    |
| 65   | 200  | 160  | 132* | 106  | 77   | 64   | 28  | 3 | 75  | 12   | 22 | 8  | 6.29    |
| 80   | 210  | 170  | 133  | 120  | 90   | 77   | 30  | 3 | 75  | 12   | 22 | 8  | 7.22    |
| 100  | 250  | 200  | 170* | 140  | 110  | 94   | 32  | 3 | 80  | 12   | 26 | 8  | 10.71   |
| 125  | 295  | 240  | 205* | 172  | 135  | 118  | 36  | 3 | 98  | 12   | 30 | 8  | 17.13   |
| 150  | 340  | 280  | 240* | 206  | 161  | 142  | 38  | 3 | 108 | 12   | 33 | 8  | 24.60   |
| 200  | 405  | 345  | 285  | 264  | 222  | 198  | 44  | 3 | 113 | 16   | 33 | 12 | 36.60   |
| 250  | 470  | 400  | 345  | 316  | 278  | 246  | 48  | 3 | 118 | 18   | 33 | 12 | 50.89   |
| 300  | 530  | 460  | 410  | 370  | 330  | 294  | 54  | 4 | 124 | 18   | 39 | 16 | 68.15   |
| 350  | 595  | 525  | 465  | 430  | 382  | 342  | 60  | 4 | 144 | 20   | 39 | 16 | 106.00  |
| 400  | 670  | 585  | 535  | 480  | 432  | 386  | 66  | 4 | 159 | 20   | 45 | 16 | -       |
| 450  | 695  | 610  | 560  | 534  | 484  | 436  | 68  | 4 | 159 | 28.5 | 45 | 16 | 151.00  |
| 500  | 800  | 705  | 615  | 594  | 535  | 485  | 70  | 4 | 169 | 20   | 52 | 20 | 201.00  |
| 600  | 925  | 820  | 735  | 704  | 636  | 585  | 76  | 5 | 185 | -    | 56 | 24 | 283.00  |
| 700  | 1045 | 935  | 840  | 820  | 726  | 685  | 81  | 5 | 230 | 20   | 56 | 24 | 301.00  |
| 800  | 1165 | 1050 | 960  | 920  | 826  | 785  | 90  | 5 | 230 | 22   | 62 | 24 | 464.00  |
| 900  | 1285 | 1170 | 1070 | 1050 | 926  | 885  | 93  | 5 | 270 | 24   | 62 | 28 | 954.00  |
| 1000 | 1415 | 1290 | 1180 | 1160 | 1028 | 985  | 97  | 5 | 285 | 24   | 70 | 28 | 981.00  |
| 1200 | 1665 | 1530 | 1380 | 1386 | 1228 | 1185 | 100 | 5 | 320 | 30   | 78 | 32 | 1264.00 |

## PN10.0 GOST 33259-2015 Type 01 Char.B

(mm)

| DN  | 外径  | 孔距  | 密封面  | 大径  | 小径  | 内孔  | 厚度 | h | 总高  | 颈口高 | 孔径 | 孔数 | 理重     |
|-----|-----|-----|------|-----|-----|-----|----|---|-----|-----|----|----|--------|
|     | D   | D1  | D2   | Dm  | Dn  | d1  | b  |   | H   | H1  |    |    |        |
| 10  | 100 | 70  | 50*  | 34  | 15  | 8   | 18 | 2 | 45  | 6   | 14 | 4  | 1.03   |
| 20  | 125 | 90  | 58   | 48  | 26  | 18  | 22 | 2 | 53  | 6   | 18 | 4  | 2.02   |
| 25  | 135 | 100 | 68   | 52  | 33  | 25  | 24 | 2 | 58  | 8   | 18 | 4  | 2.50   |
| 32  | 150 | 110 | 78   | 64  | 39  | 31  | 24 | 2 | 62  | 8   | 22 | 4  | 3.06   |
| 40  | 165 | 125 | 88   | 76  | 46  | 37  | 26 | 3 | 70  | 10  | 22 | 4  | 4.07   |
| 50  | 195 | 145 | 102  | 86  | 58  | 45  | 28 | 3 | 71  | 10  | 26 | 4  | 6.08   |
| 65  | 220 | 170 | 140* | 110 | 77  | 62  | 32 | 3 | 83  | 12  | 26 | 8  | 8.84   |
| 80  | 230 | 180 | 133  | 124 | 90  | 75  | 34 | 3 | 90  | 12  | 26 | 8  | 9.98   |
| 100 | 265 | 210 | 175* | 146 | 110 | 92  | 38 | 3 | 100 | 12  | 30 | 8  | 14.70  |
| 125 | 310 | 250 | 210* | 180 | 135 | 112 | 42 | 3 | 115 | 12  | 33 | 8  | 23.30  |
| 150 | 350 | 290 | 250* | 214 | 161 | 136 | 46 | 3 | 128 | 12  | 33 | 12 | 32.90  |
| 200 | 430 | 360 | 285  | 276 | 222 | 190 | 54 | 3 | 143 | 16  | 39 | 12 | 54.20  |
| 250 | 500 | 430 | 345  | 340 | 278 | 236 | 60 | 3 | 163 | 18  | 39 | 12 | 85.40  |
| 300 | 585 | 500 | 410  | 400 | 330 | 284 | 70 | 4 | 184 | 18  | 45 | 16 | 128.4  |
| 350 | 655 | 560 | 465  | 460 | 382 | 332 | 76 | 4 | 199 | 20  | 52 | 16 | 172.00 |
| 400 | 715 | 620 | 535  | 510 | 432 | 376 | 80 | 4 | 204 | 20  | 52 | 16 | 216.40 |
| 450 | 740 | 645 | 560  | 560 | 484 | 426 | 82 | 4 | 204 | 27  | 52 | 16 | -      |

PN16.0 GOST 33259-2015 Type 01 Char.B

(mm)

| DN  | 外径  | 孔距  | 密封面  | 大径  | 小径  | 内孔  | 厚度 | h | 总高  | 颈口高  | 孔径 | 孔数 | 理重     |
|-----|-----|-----|------|-----|-----|-----|----|---|-----|------|----|----|--------|
|     | D   | D1  | D2   | Dm  | Dn  | d1  | b  |   | H   | H1   |    |    |        |
| 15  | 105 | 75  | 47   | 38  | 19  | 12  | 20 | 2 | 52  | 6    | 14 | 4  | 1.27   |
| 20  | 125 | 90  | 58   | 48  | 26  | 18  | 22 | 2 | 58  | 8    | 18 | 4  | 2.08   |
| 25  | 135 | 100 | 68   | 52  | 33  | 25  | 24 | 2 | 58  | 8    | 18 | 4  | 2.50   |
| 32  | 150 | 110 | 78   | 64  | 39  | 31  | 24 | 2 | 67  | 8    | 22 | 4  | 3.07   |
| 40  | 165 | 125 | 88   | 76  | 46  | 37  | 28 | 3 | 75  | 10   | 22 | 4  | 4.28   |
| 50  | 195 | 145 | 115* | 86  | 58  | 45  | 30 | 3 | 78  | 10   | 26 | 4  | 6.49   |
| 65  | 220 | 170 | 140* | 110 | 77  | 62  | 34 | 3 | 88  | 12   | 26 | 8  | 9.38   |
| 80  | 230 | 180 | 150* | 124 | 90  | 75  | 36 | 3 | 93  | 12   | 26 | 8  | 10.50  |
| 100 | 265 | 210 | 175* | 146 | 110 | 92  | 40 | 3 | 103 | 12   | 30 | 8  | 15.40  |
| 125 | 310 | 250 | 210* | 180 | 135 | 112 | 44 | 3 | 118 | 14   | 33 | 8  | 24.90  |
| 150 | 350 | 290 | 250* | 214 | 161 | 136 | 50 | 3 | 133 | 14   | 33 | 12 | 35.00  |
| 200 | 430 | 360 | 315* | 276 | 222 | 190 | 60 | 3 | 148 | 16   | 39 | 12 | 60.10  |
| 250 | 500 | 430 | 380* | 340 | 278 | 236 | 68 | 3 | 168 | 18   | 39 | 12 | 94.40  |
| 300 | 585 | 500 | 410  | 400 | 330 | 284 | 78 | 4 | 189 | 18   | 45 | 16 | 141.00 |
| 350 | 655 | 560 | 465  | 460 | 382 | 332 | 84 | 4 | 204 | 22,5 | 52 | 16 | -      |
| 400 | 715 | 620 | 535  | 510 | 432 | 376 | 88 | 4 | 209 | 23,5 | 52 | 16 | -      |

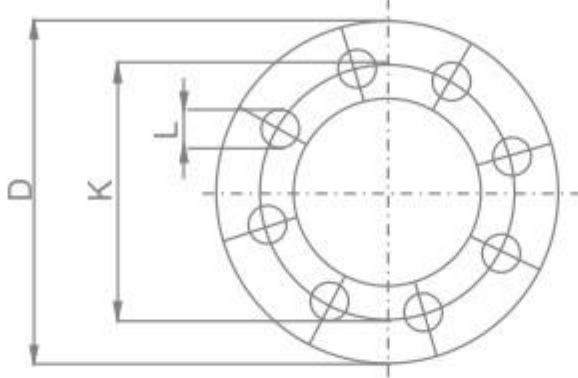
PN20.0 GOST 33259-2015 Type 01 Char.B

(mm)

| DN  | 外径  | 孔距  | 密封面  | 大径  | 小径  | 内孔  | 厚度  | h | 总高  | 颈口高 | 孔径 | 孔数 | 理重     |
|-----|-----|-----|------|-----|-----|-----|-----|---|-----|-----|----|----|--------|
|     | D   | D1  | D2   | Dm  | Dn  | d1  | b   |   | H   | H1  |    |    |        |
| 15  | 120 | 82  | 55*  | 40  | 23  | 14  | 26  | 2 | 54  | 6   | 22 | 4  | 2.11   |
| 20  | 130 | 90  | 58   | 46  | 29  | 19  | 28  | 2 | 57  | 8   | 22 | 4  | 2.54   |
| 25  | 150 | 102 | 68   | 54  | 36  | 25  | 30  | 2 | 62  | 8   | 26 | 4  | 3.59   |
| 32  | 160 | 115 | 78   | 64  | 43  | 31  | 32  | 2 | 67  | 8   | 26 | 4  | 4.43   |
| 40  | 170 | 124 | 91*  | 74  | 49  | 36  | 34  | 3 | 75  | 10  | 26 | 4  | 5.46   |
| 50  | 210 | 160 | 129* | 105 | 61  | 46  | 40  | 3 | 98  | 10  | 26 | 8  | 11.30  |
| 65  | 260 | 203 | 167* | 138 | 90  | 68  | 48  | 3 | 121 | 12  | 30 | 8  | 19.20  |
| 80  | 290 | 230 | 190* | 162 | 110 | 80  | 54  | 3 | 135 | 12  | 33 | 8  | 27.50  |
| 100 | 360 | 292 | 245* | 208 | 135 | 102 | 66  | 3 | 178 | 12  | 39 | 8  | 53.60  |
| 125 | 385 | 318 | 271* | 234 | 170 | 130 | 76  | 3 | 178 | 14  | 39 | 12 | 73.20  |
| 150 | 440 | 360 | 306* | 266 | 196 | 150 | 82  | 3 | 193 | 14  | 45 | 12 | 90.90  |
| 200 | 535 | 440 | 380* | 340 | 248 | 192 | 92  | 3 | 233 | 16  | 52 | 12 | 160.00 |
| 250 | 670 | 572 | 345  | 460 | 330 | 254 | 110 | 3 | 303 | 18  | 56 | 16 | 318.00 |

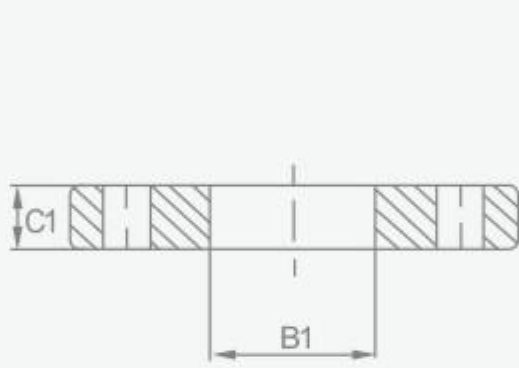
**BS FLANGE** 英标法兰

BS EN1092-1

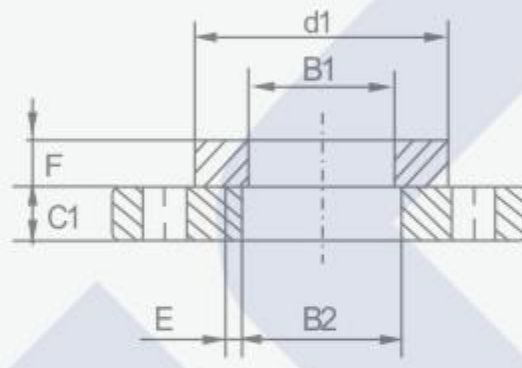


**Dimensions of PN 16 Flanges EN 1092-1**

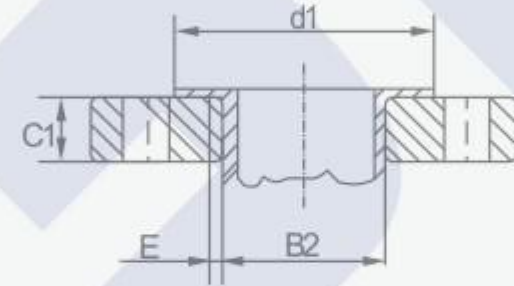
Na risbi narisano stevilo luken prikazuje le razpored le the Po delilnem krogu. Dejansko stevilo luken je razvidno iz tabele.



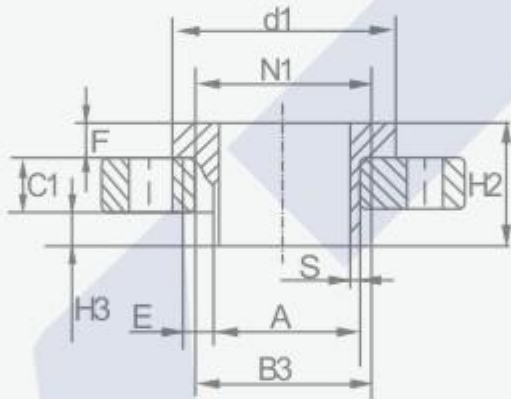
Typ 01



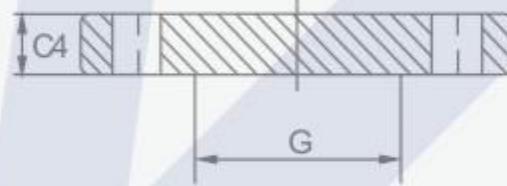
Typ 02 in 32



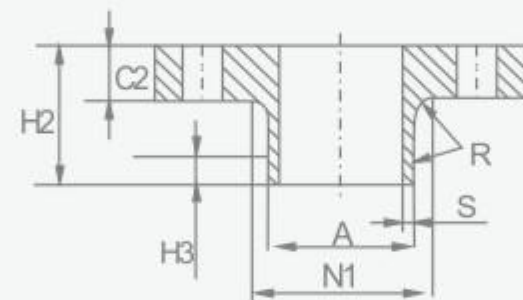
Typ 02 in 33



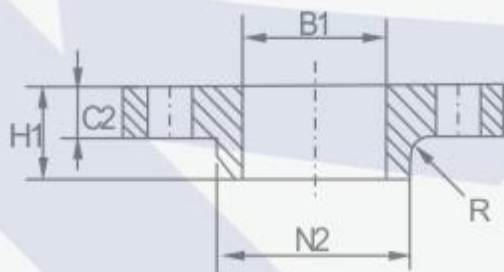
Typ 04 in 34



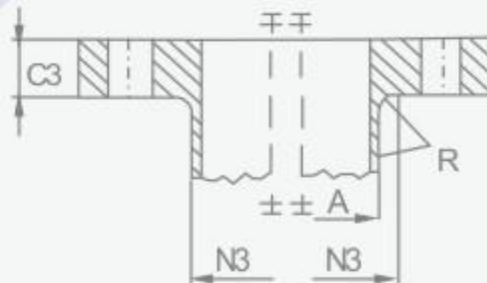
Typ 05



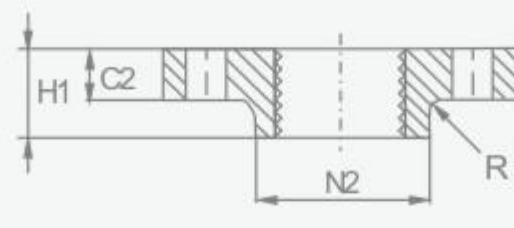
Typ 11



Typ 12



Typ 21



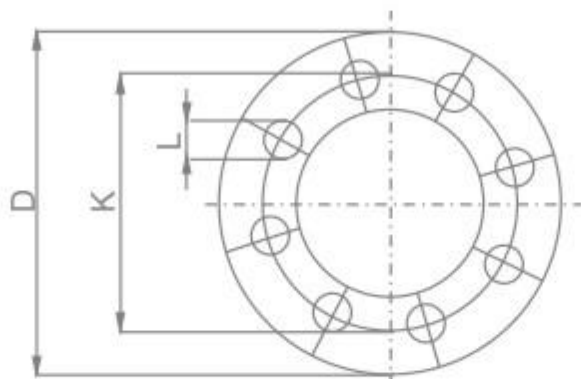
Typ 13

NOTE 1: Dimensions N1,N2 and N3 are measured at the intersection of the hub draft angle and the back face of the flange.

NOTE 2: For d1 dimensions see document "Flange facing according to EN 1092-1".

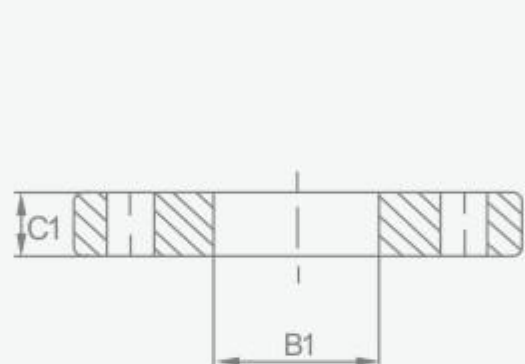
# BS FLANGE 英标法兰

## BS EN1092-1

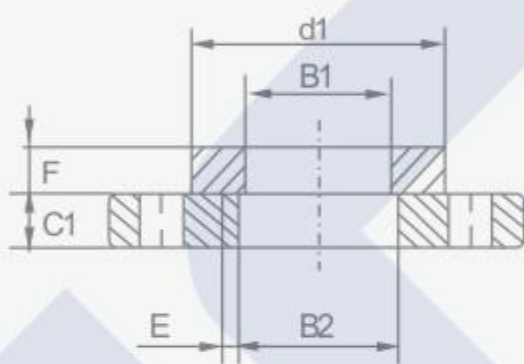


### Dimensions of PN 16 Flanges EN 1092-1

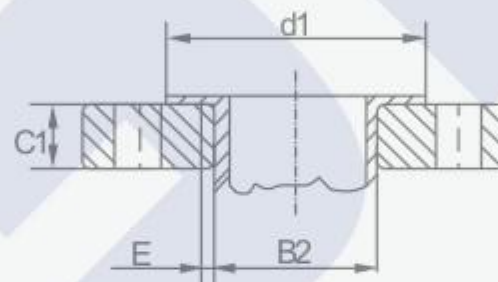
Na risbi narisano stevilo luken prikazuje le razpored le the Po delilnem krogu. Dejansko stevilo luken je razvidno iz tabele.



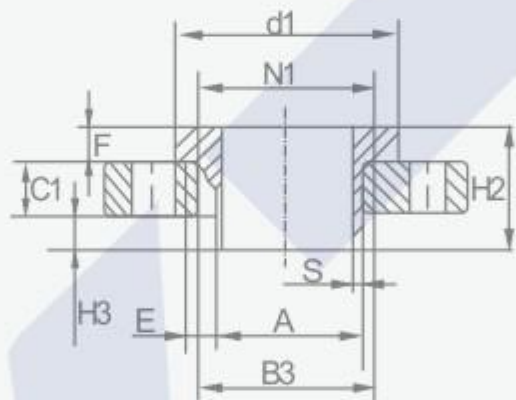
Typ 01



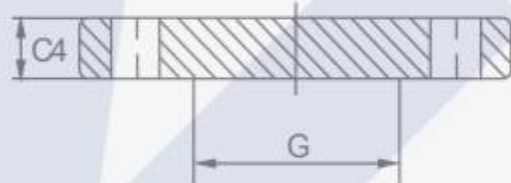
Typ 02 in 32



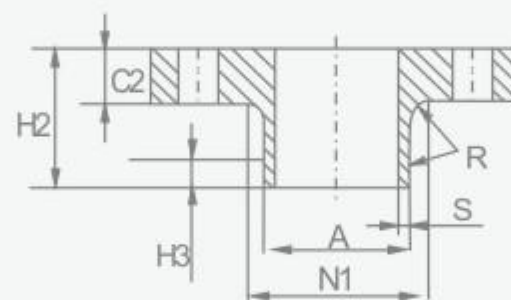
Typ 02 in 33



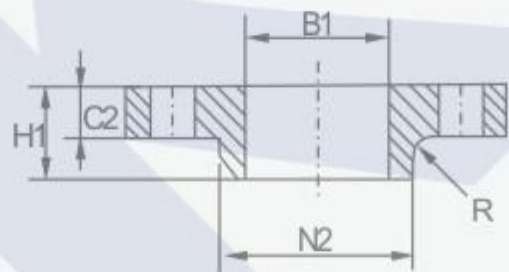
Typ 04 in 34



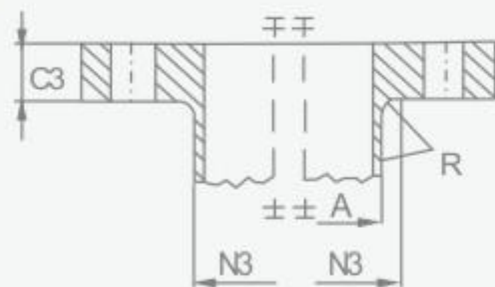
Typ 05



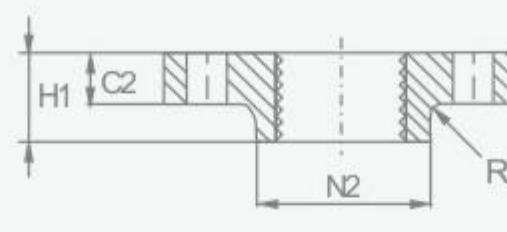
Typ 11



Typ 12



Typ 21



Typ 13

NOTE 1: Dimensions N1,N2 and N3 are measured at the intersection of the hub draft angle and the back face of the flange.

NOTE 2: For d1 dimensions see document "Flange facing according to EN 1092-1".

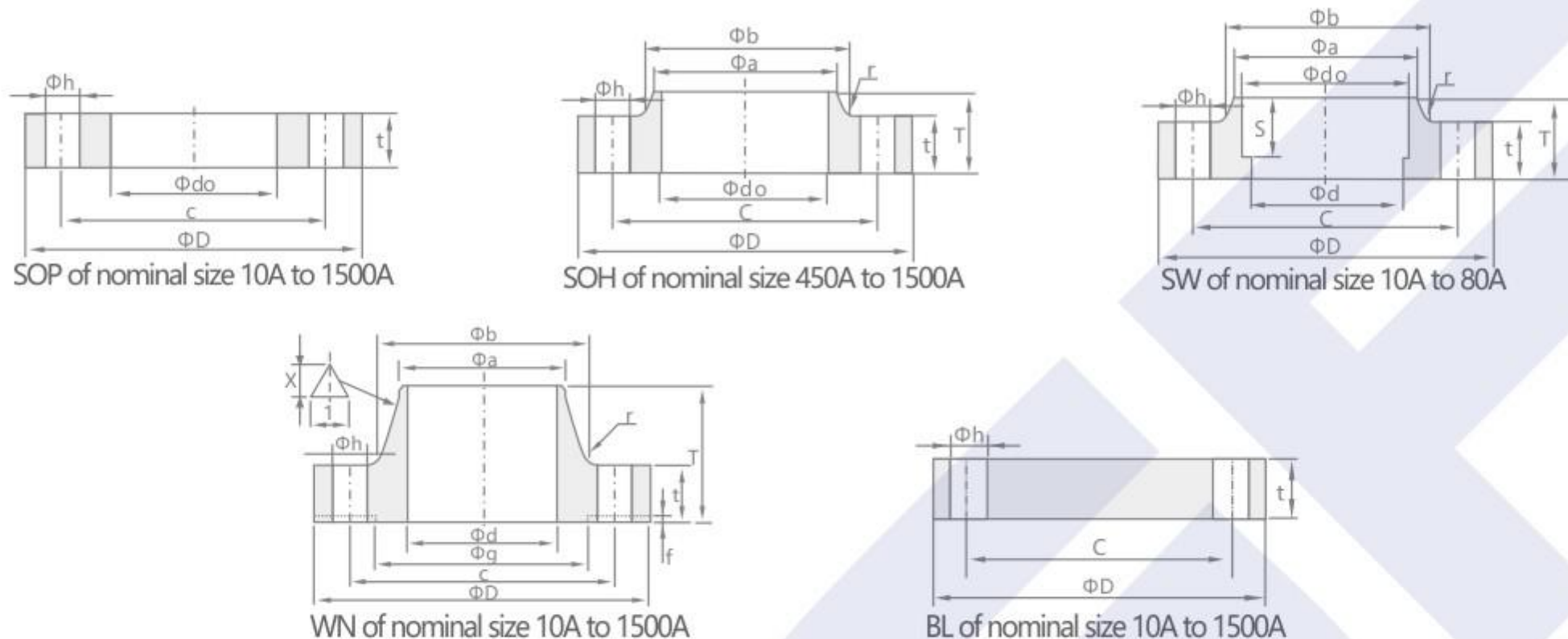
# BS FLANGE 英标法兰 /PN 16

## DIMENSIONS IN MM

(mm)

| Nominal diameter DN | Mating Dimensions |                         |                       |         |                   | Outside Diameter Of Neck | Bore Diameters |     |          |          | Flange Thickness | Chamfer | Collar Thickness | Diameter Of Shoulders | Length |      |       | Neck Diameters |    |       | Corner Radius | Neck Thickness (preferred Value) |       |       |       |       |    |             |       |
|---------------------|-------------------|-------------------------|-----------------------|---------|-------------------|--------------------------|----------------|-----|----------|----------|------------------|---------|------------------|-----------------------|--------|------|-------|----------------|----|-------|---------------|----------------------------------|-------|-------|-------|-------|----|-------------|-------|
|                     | Outside Diameter  | Diameter Of Bolt Circle | Diameter Of Bolt Hole | Bolting | 01,02,05,11,12,21 |                          | 02             | 04  | 01 02 04 | 11 12 13 |                  |         |                  |                       | 21     | 05   | 02 04 | 32 34          | 05 | 12 13 |               |                                  | 11 34 | 11 34 | 11 34 | 12 13 | 21 | 11 12 13 21 | 11 34 |
|                     |                   |                         |                       |         |                   |                          |                |     |          |          |                  |         |                  |                       |        |      |       |                |    |       |               |                                  |       |       |       |       |    |             |       |
|                     |                   |                         |                       |         |                   |                          |                |     |          |          |                  |         |                  |                       |        |      |       |                |    |       |               |                                  |       |       |       |       |    |             |       |
| 10                  | 90                | 60                      | 14                    | 4       | M12               | 17.2                     | 18.0           | 21  | 31       | 14       | 16               | 16      | 16               | 3                     | 12     | -    | 22    | 35             | 6  | 28    | 30            | 28                               | 4     | 1.8   |       |       |    |             |       |
| 15                  | 95                | 65                      | 14                    | 4       | M12               | 21.3                     | 22.0           | 25  | 35       | 14       | 16               | 16      | 16               | 3                     | 12     | -    | 22    | 38             | 6  | 32    | 35            | 32                               | 4     | 2.0   |       |       |    |             |       |
| 20                  | 105               | 75                      | 14                    | 4       | M12               | 26.9                     | 27.5           | 31  | 42       | 16       | 18               | 18      | 18               | 4                     | 14     | -    | 26    | 40             | 6  | 40    | 45            | 40                               | 4     | 2.3   |       |       |    |             |       |
| 25                  | 115               | 85                      | 14                    | 4       | M12               | 33.7                     | 34.5           | 38  | 49       | 16       | 18               | 18      | 18               | 4                     | 14     | -    | 28    | 40             | 6  | 46    | 52            | 52                               | 4     | 2.6   |       |       |    |             |       |
| 32                  | 140               | 100                     | 18                    | 4       | M16               | 42.4                     | 43.5           | 47  | 59       | 18       | 18               | 18      | 18               | 5                     | 14     | -    | 30    | 42             | 6  | 56    | 60            | 60                               | 6     | 2.6   |       |       |    |             |       |
| 40                  | 150               | 110                     | 18                    | 4       | M16               | 48.3                     | 49.5           | 53  | 67       | 18       | 18               | 18      | 18               | 5                     | 14     | -    | 32    | 45             | 7  | 64    | 70            | 70                               | 6     | 2.6   |       |       |    |             |       |
| 50                  | 165               | 125                     | 18                    | 4       | M16               | 60.3                     | 61.5           | 65  | 77       | 19       | 18               | 18      | 18               | 5                     | 16     | -    | 28    | 45             | 8  | 74    | 84            | 84                               | 5     | 2.9   |       |       |    |             |       |
| 65                  | 185               | 145                     | 18                    | **      | M16               | 76.1                     | 77.5           | 81  | 96       | 20       | 18               | 18      | 18               | 6                     | 16     | 55   | 32    | 45             | 10 | 92    | 104           | 104                              | 6     | 2.9   |       |       |    |             |       |
| 80                  | 200               | 160                     | 18                    | 8       | M16               | 88.9                     | 90.5           | 94  | 108      | 20       | 20               | 20      | 20               | 6                     | 16     | 70   | 34    | 50             | 10 | 105   | 118           | 120                              | 6     | 3.2   |       |       |    |             |       |
| 100                 | 220               | 180                     | 18                    | 8       | M16               | 114.3                    | 116.0          | 120 | 134      | 22       | 20               | 20      | 20               | 6                     | 18     | 90   | 40    | 52             | 12 | 131   | 140           | 140                              | 8     | 3.6   |       |       |    |             |       |
| 125                 | 250               | 210                     | 18                    | 8       | M16               | 139.7                    | 141.5          | 145 | 162      | 22       | 22               | 22      | 22               | 6                     | 18     | 115  | 44    | 55             | 12 | 156   | 168           | 170                              | 8     | 4.0   |       |       |    |             |       |
| 150                 | 285               | 240                     | 22                    | 8       | M20               | 168.3                    | 170.5          | 174 | 188      | 24       | 22               | 22      | 22               | 6                     | 20     | 140  | 44    | 55             | 12 | 184   | 195           | 190                              | 10    | 4.5   |       |       |    |             |       |
| 200                 | 340               | 295                     | 22                    | 12      | M20               | 219.1                    | 221.5          | 226 | 240      | 26       | 24               | 24      | 24               | 6                     | 20     | 190  | 44    | 62             | 16 | 235   | 246           | 246                              | 10    | 5.9   |       |       |    |             |       |
| 250                 | 405               | 355                     | 26                    | 12      | M24               | 273.0                    | 276.5          | 281 | 294      | 29       | 26               | 26      | 26               | 8                     | 22     | 235  | 46    | 70             | 16 | 292   | 298           | 296                              | 12    | 6.3   |       |       |    |             |       |
| 300                 | 460               | 410                     | 26                    | 12      | M24               | 323.9                    | 327.5          | 333 | 348      | 32       | 28               | 28      | 28               | 8                     | 24     | 285  | 46    | 78             | 16 | 344   | 350           | 350                              | 12    | 7.1   |       |       |    |             |       |
| 350                 | 520               | 470                     | 26                    | 16      | M24               | 355.6                    | 359.0          | 365 | 400      | 35       | 30               | 30      | 30               | 8                     | 26     | 330  | 57    | 82             | 16 | 390   | 400           | 410                              | 12    | 8.0   |       |       |    |             |       |
| 400                 | 580               | 525                     | 30                    | 16      | M27               | 406.4                    | 411.0          | 416 | 454      | 38       | 32               | 32      | 32               | 8                     | 28     | 380  | 63    | 85             | 16 | 445   | 456           | 458                              | 12    | 8.0   |       |       |    |             |       |
| 450                 | 640               | 585                     | 30                    | 20      | M27               | 457.0                    | 462.0          | 467 | 500      | 42       | 40               | 40      | 40               | 8                     | 30     | 425  | 68    | 87             | 16 | 490   | 502           | 516                              | 12    | 8.0   |       |       |    |             |       |
| 500                 | 715               | 650                     | 33                    | 20      | M30               | 508.0                    | 513.5          | 510 | 556      | 46       | 44               | 44      | 44               | 8                     | 32     | 475  | 73    | 90             | 16 | 548   | 559           | 576                              | 12    | 8.0   |       |       |    |             |       |
| 600                 | 840               | 770                     | 36                    | 20      | M33               | 610.0                    | 616.5          | 622 | 660      | 52       | 54               | 54      | 54               | 8                     | 32     | 575  | 83    | 95             | 18 | 652   | 658           | 690                              | 12    | 8.8   |       |       |    |             |       |
| 700                 | 910               | 840                     | 36                    | 24      | M33               | 711.0                    | -              | -   | -        | -        | 36               | 42      | 48               | -                     | -      | 670  | 83    | 100            | 18 | 755   | 760           | 760                              | 12    | 8.8   |       |       |    |             |       |
| 800                 | 1025              | 950                     | 39                    | 24      | M36               | 813.0                    | -              | -   | -        | -        | 38               | 42      | 52               | -                     | -      | 770  | 90    | 105            | 20 | 855   | 864           | 862                              | 12    | 10.0  |       |       |    |             |       |
| 900                 | 1125              | 1050                    | 39                    | 28      | M36               | 914.0                    | -              | -   | -        | -        | 40               | 44      | 58               | -                     | -      | 860  | 94    | 110            | 20 | 955   | 968           | 962                              | 12    | 10.0  |       |       |    |             |       |
| 1000                | 1255              | 1170                    | 42                    | 28      | M39               | 1016.0                   | -              | -   | -        | -        | 42               | 46      | 64               | -                     | -      | 960  | 100   | 120            | 22 | 1058  | 1072          | 1076                             | 16    | 10.0  |       |       |    |             |       |
| 1200                | 1485              | 1390                    | 48                    | 32      | M45               | 1219.0                   | -              | -   | -        | -        | 48               | 52      | 76               | -                     | -      | 1160 | -     | 130            | 30 | 1262  | -             | 1282                             | 16    | 12.5  |       |       |    |             |       |
| 1400                | 1685              | 1590                    | 48                    | 36      | M45               | 1422.0                   | -              | -   | -        | -        | 52               | 58      | -                | -                     | -      | 1346 | -     | 145            | 30 | 1465  | -             | 1482                             | 16    | 14.2  |       |       |    |             |       |
| 1600                | 1930              | 1820                    | 56                    | 40      | M52               | 1626.0                   | -              | -   | -        | -        | 58               | 64      | -                | -                     | -      | 1546 | -     | 160            | 35 | 1668  | -             | 1696                             | 16    | 16.0  |       |       |    |             |       |
| 1800                | 2130              | 2020                    | 56                    | 44      | M52               | 1829.0                   | -              | -   | -        | -        | 62               | 68      | -                | -                     | -      | 1746 | -     | 170            | 35 | 1870  | -             | 1896                             | 16    | 17.5  |       |       |    |             |       |
| 2000                | 2345              | 2230                    | 62                    | 48      | M56               | 2032.0                   | -              | -   | -        | -        | 66               | 70      | -                | -                     | -      | 1950 | -     | 180            | 40 | 2072  | -             | 2100                             | 16    | 20.0  |       |       |    |             |       |

# JIS FLANGE 日标法兰 / 5K



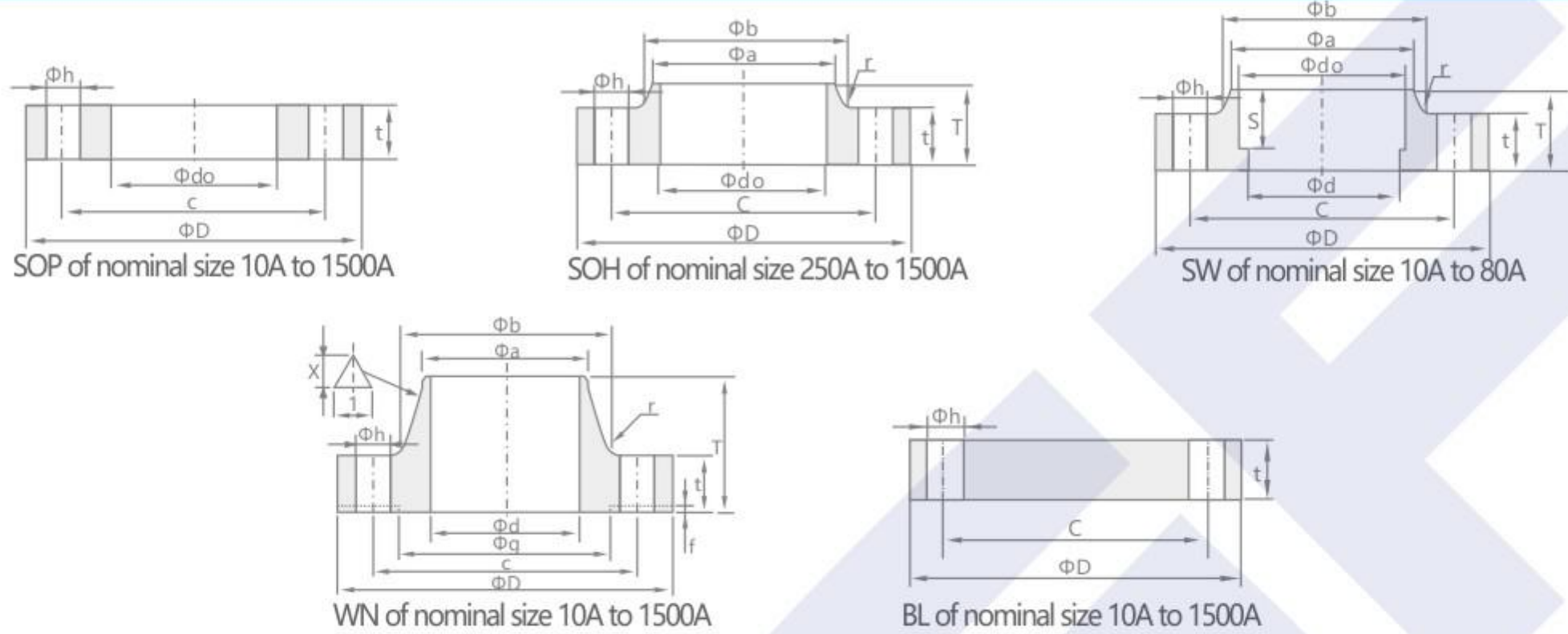
JIS B2220-2012

(mm)

| 口径   | 法兰<br>外径 | 法兰内径          |        | 法兰厚度             |    | 法兰高度      |     | 颈小端       |        | 颈大端       |      | 深度 | 密封面 |      | 连接尺寸 |     |    |
|------|----------|---------------|--------|------------------|----|-----------|-----|-----------|--------|-----------|------|----|-----|------|------|-----|----|
|      |          | SOP<br>SOH,SW | SW,WN  | Except<br>for BL | BL | SOH<br>SW | WN  | SOH<br>SW | WN     | SOH<br>SW | WN   |    | SW  | 高度   | 直径   | 孔中距 | 数量 |
| A    | D        | do            | d      | t                | t  | T         | T   | a         | a      | b         | b    | S  | f   | g    | c    | n   | h  |
| 10   | 75       | 17.8          | 12.7   | 9                | 9  | 13        | 24  | 23        | 17.3   | 26        | 26   | 10 | 1   | 39   | 55   | 4   | 12 |
| 15   | 80       | 22.2          | 16.1   | 9                | 9  | 13        | 25  | 27        | 21.7   | 30        | 31   | 10 | 1   | 44   | 60   | 4   | 12 |
| 20   | 85       | 27.7          | 21.6   | 10               | 10 | 15        | 28  | 33        | 27.2   | 36        | 38   | 13 | 1   | 49   | 65   | 4   | 12 |
| 25   | 95       | 34.5          | 27.6   | 10               | 10 | 17        | 30  | 41        | 34.0   | 44        | 46   | 13 | 1   | 59   | 75   | 4   | 12 |
| 32   | 115      | 43.2          | 35.7   | 12               | 12 | 19        | 33  | 50        | 42.7   | 53        | 55   | 13 | 2   | 70   | 90   | 4   | 15 |
| 40   | 120      | 49.1          | 41.6   | 12               | 12 | 20        | 34  | 56        | 48.6   | 60        | 62   | 13 | 2   | 75   | 95   | 4   | 15 |
| 50   | 130      | 61.1          | 52.9   | 14               | 14 | 24        | 36  | 69        | 60.5   | 73        | 73   | 16 | 2   | 85   | 105  | 4   | 15 |
| 65   | 155      | 77.1          | 67.9   | 14               | 14 | 27        | 39  | 86        | 76.3   | 91        | 91   | 16 | 2   | 110  | 130  | 4   | 15 |
| 80   | 180      | 90.0          | 80.7   | 14               | 14 | 30        | 41  | 99        | 89.1   | 105       | 105  | 16 | 2   | 121  | 145  | 4   | 19 |
| 90   | 190      | 102.6         | 93.2   | 14               | 14 | -         | 41  | -         | 101.6  | -         | 117  | -  | 2   | 131  | 155  | 4   | 19 |
| 100  | 200      | 115.4         | 105.3  | 16               | 16 | 36        | 41  | 127       | 114.3  | 130       | 128  | -  | 2   | 141  | 165  | 8   | 19 |
| 125  | 235      | 141.2         | 130.8  | 16               | 16 | 40        | 43  | 154       | 139.8  | 161       | 156  | -  | 2   | 176  | 200  | 8   | 19 |
| 150  | 265      | 166.6         | 155.2  | 18               | 18 | 40        | 49  | 182       | 165.2  | 189       | 184  | -  | 2   | 206  | 230  | 8   | 19 |
| 175  | 300      | 192.1         | 180.1  | 18               | 18 | -         | 49  | -         | 190.7  | -         | 209  | -  | 2   | 232  | 260  | 8   | 23 |
| 200  | 320      | 218.0         | 204.7  | 20               | 20 | -         | 53  | -         | 216.3  | -         | 235  | -  | 2   | 252  | 280  | 8   | 23 |
| 225  | 345      | 243.7         | 229.4  | 20               | 20 | -         | 54  | -         | 241.8  | -         | 261  | -  | 2   | 277  | 305  | 12  | 23 |
| 250  | 385      | 269.5         | 254.2  | 22               | 22 | -         | 61  | -         | 267.4  | -         | 290  | -  | 2   | 317  | 345  | 12  | 23 |
| 300  | 430      | 321.0         | 304.7  | 22               | 22 | -         | 62  | -         | 318.5  | -         | 342  | -  | 3   | 360  | 390  | 12  | 23 |
| 350  | 480      | 358.1         | 339.8  | 24               | 24 | -         | 73  | -         | 355.6  | -         | 385  | -  | 3   | 403  | 435  | 12  | 25 |
| 400  | 540      | 409.0         | 390.6  | 24               | 24 | -         | 76  | -         | 406.4  | -         | 438  | -  | 3   | 463  | 495  | 16  | 25 |
| 450  | 605      | 460.0         | 441.4  | 24               | 24 | 40        | 79  | 495       | 457.2  | 500       | 491  | -  | 3   | 523  | 555  | 16  | 25 |
| 500  | 655      | 511.0         | 492.2  | 24               | 24 | 40        | 79  | 546       | 508.0  | 552       | 541  | -  | 3   | 573  | 605  | 20  | 25 |
| 550  | 720      | 562.0         | 543.0  | 26               | 26 | 42        | 81  | 597       | 558.8  | 603       | 593  | -  | 3   | 630  | 665  | 20  | 27 |
| 600  | 770      | 613.0         | 593.8  | 26               | 26 | 44        | 81  | 648       | 609.6  | 654       | 643  | -  | 3   | 680  | 715  | 20  | 27 |
| 650  | 825      | 664.0         | 644.6  | 26               | 28 | 48        | 85  | 702       | 660.4  | 708       | 698  | -  | 3   | 735  | 770  | 24  | 27 |
| 700  | 875      | 715.0         | 695.4  | 26               | 30 | 48        | 94  | 751       | 711.2  | 758       | 748  | -  | 3   | 785  | 820  | 24  | 27 |
| 750  | 945      | 766.0         | 746.2  | 28               | 32 | 52        | 100 | 802       | 762.0  | 810       | 802  | -  | 3   | 840  | 880  | 24  | 33 |
| 800  | 995      | 817.0         | 797.0  | 28               | 34 | 52        | 100 | 854       | 812.8  | 862       | 852  | -  | 3   | 890  | 930  | 24  | 33 |
| 850  | 1045     | 868.0         | 847.8  | 28               | 36 | 54        | 108 | 904       | 863.6  | 912       | 902  | -  | 3   | 940  | 980  | 24  | 33 |
| 900  | 1095     | 919.0         | 898.6  | 30               | 36 | 56        | 108 | 956       | 914.4  | 964       | 952  | -  | 3   | 990  | 1030 | 24  | 33 |
| 1000 | 1195     | 1021.0        | 1000.2 | 32               | 40 | 60        | 116 | 1058      | 1016.0 | 1066      | 1052 | -  | 3   | 1090 | 1130 | 28  | 33 |
| 1100 | 1305     | 1122.0        | 1098.6 | 32               | 44 | 71        | 136 | 1158      | 1117.6 | 1170      | 1162 | -  | 3   | 1200 | 1240 | 28  | 33 |
| 1200 | 1420     | 1224.0        | 1200.2 | 34               | 48 | 77        | 155 | 1260      | 1219.2 | 1272      | 1272 | -  | 3   | 1305 | 1350 | 32  | 33 |
| 1350 | 1575     | 1376.0        | 1346.2 | 34               | 54 | 80        | 164 | 1414      | 1371.6 | 1426      | 1472 | -  | 3   | 1460 | 1505 | 32  | 33 |
| 1500 | 1730     | 1529.0        | 1498.6 | 36               | 58 | 86        | 172 | 1568      | 1524.0 | 1580      | 1582 | -  | 3   | 1615 | 1660 | 36  | 33 |

备注: (1) 法兰的端面应符合JIS B2202-2004 (2) 根据连接钢管的内径进行调整 (3) 带法兰, 此尺寸仅供参考 (4) 此值可四舍五入, 尺寸c为半径 (5) 该尺寸可根据有关各方之间的协议来确定

# JIS FLANGE 日标法兰 / 10K



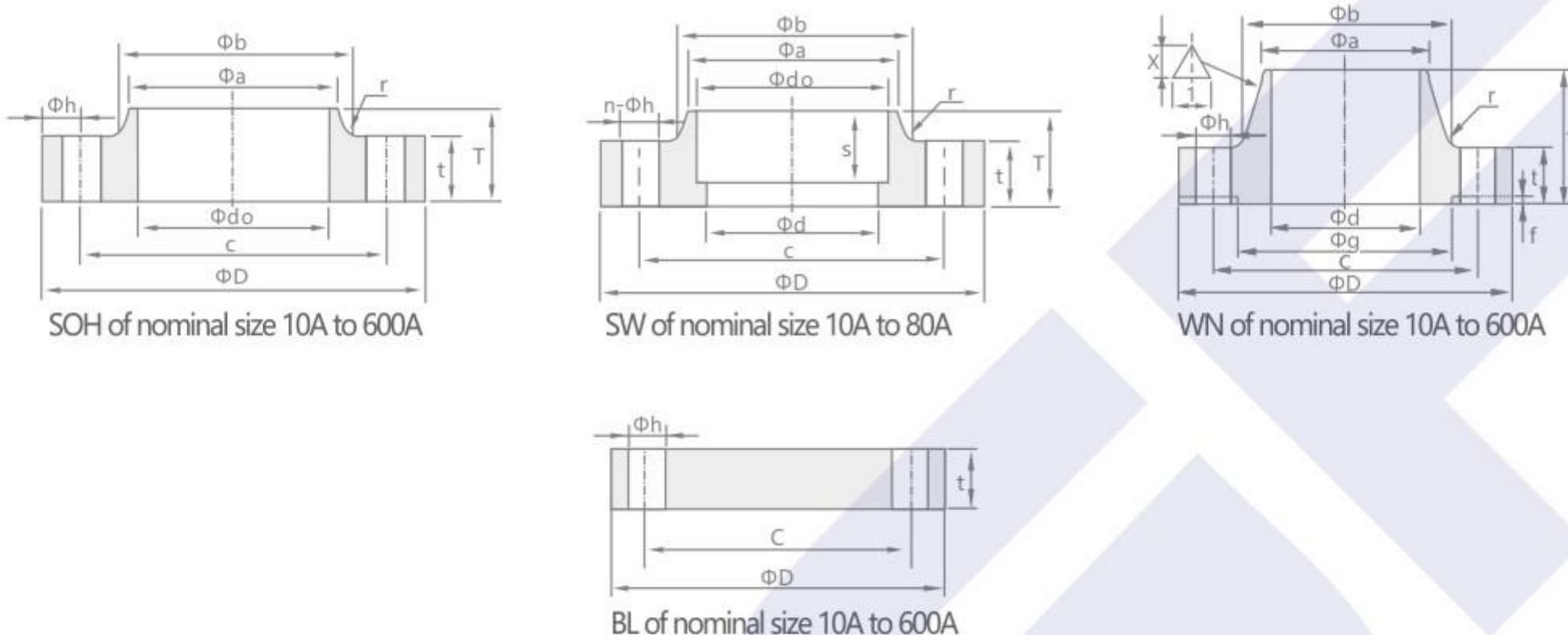
JIS B2220-2012

(mm)

| 口径   | 法兰<br>外径 | 法兰内径          |        | 法兰厚度             |    | 法兰高度      |     | 颈小端       |        | 颈大端       |      | 深度 | 密封面 |      | 连接尺寸 |     |    |
|------|----------|---------------|--------|------------------|----|-----------|-----|-----------|--------|-----------|------|----|-----|------|------|-----|----|
|      |          | SOP<br>SOH,SW | SW,WN  | Except<br>for BL | BL | SOH<br>SW | WN  | SOH<br>SW | WN     | SOH<br>SW | WN   |    | SW  | 高度   | 直径   | 孔中距 | 数量 |
| A    | D        | do            | d      | t                | t  | T         | T   | a         | a      | b         | b    | S  | f   | g    | c    | n   | h  |
| 10   | 90       | 17.8          | 12.7   | 12               | 12 | 16        | 29  | 23        | 17.3   | 26        | 28   | 10 | 1   | 46   | 65   | 4   | 15 |
| 15   | 95       | 22.2          | 16.1   | 12               | 12 | 16        | 31  | 27        | 21.7   | 30        | 33   | 10 | 1   | 51   | 70   | 4   | 15 |
| 20   | 100      | 27.7          | 21.6   | 14               | 14 | 20        | 32  | 33        | 27.2   | 36        | 38   | 13 | 1   | 56   | 75   | 4   | 15 |
| 25   | 125      | 34.5          | 27.6   | 14               | 14 | 20        | 36  | 41        | 34.0   | 44        | 47   | 13 | 1   | 67   | 90   | 4   | 19 |
| 32   | 135      | 43.2          | 35.7   | 16               | 16 | 22        | 38  | 50        | 42.7   | 53        | 56   | 13 | 2   | 76   | 100  | 4   | 19 |
| 40   | 140      | 49.1          | 41.6   | 16               | 16 | 24        | 38  | 56        | 48.6   | 60        | 62   | 13 | 2   | 81   | 105  | 4   | 19 |
| 50   | 155      | 61.1          | 52.9   | 16               | 16 | 24        | 40  | 69        | 60.5   | 73        | 75   | 16 | 2   | 96   | 120  | 4   | 19 |
| 65   | 175      | 77.1          | 67.9   | 18               | 18 | 27        | 44  | 86        | 76.3   | 91        | 92   | 16 | 2   | 116  | 140  | 4   | 19 |
| 80   | 185      | 90.0          | 80.7   | 18               | 18 | 30        | 45  | 99        | 89.1   | 105       | 105  | 16 | 2   | 126  | 150  | 8   | 19 |
| 90   | 195      | 102.6         | 93.2   | 18               | 18 | -         | 45  | -         | 101.6  | -         | 117  | -  | 2   | 136  | 160  | 8   | 19 |
| 100  | 210      | 115.4         | 105.3  | 18               | 18 | 36        | 45  | 127       | 114.3  | 130       | 130  | -  | 2   | 151  | 175  | 8   | 19 |
| 125  | 250      | 141.2         | 130.8  | 20               | 20 | 40        | 47  | 154       | 139.8  | 161       | 156  | -  | 2   | 182  | 210  | 8   | 23 |
| 150  | 280      | 166.6         | 155.2  | 22               | 22 | 40        | 53  | 182       | 165.2  | 189       | 184  | -  | 2   | 212  | 240  | 8   | 23 |
| 175  | 305      | 192.1         | 180.1  | 22               | 22 | -         | 55  | -         | 190.7  | -         | 210  | -  | 2   | 237  | 265  | 12  | 23 |
| 200  | 330      | 218.0         | 204.7  | 22               | 22 | -         | 58  | -         | 216.3  | -         | 238  | -  | 2   | 262  | 290  | 12  | 23 |
| 225  | 350      | 243.7         | 229.4  | 22               | 22 | -         | 58  | -         | 241.8  | -         | 261  | -  | 2   | 282  | 310  | 12  | 23 |
| 250  | 400      | 269.5         | 254.2  | 24               | 24 | 36        | 65  | 288       | 267.4  | 292       | 292  | -  | 2   | 324  | 355  | 12  | 25 |
| 300  | 445      | 321.0         | 304.7  | 24               | 24 | 38        | 68  | 340       | 318.5  | 346       | 345  | -  | 3   | 368  | 400  | 16  | 25 |
| 350  | 490      | 358.1         | 339.8  | 26               | 26 | 42        | 79  | 380       | 355.6  | 386       | 388  | -  | 3   | 413  | 445  | 16  | 25 |
| 400  | 560      | 409.0         | 390.6  | 28               | 28 | 44        | 85  | 436       | 406.4  | 442       | 442  | -  | 3   | 475  | 510  | 16  | 27 |
| 450  | 620      | 460.0         | 441.4  | 30               | 30 | 48        | 90  | 496       | 457.2  | 502       | 495  | -  | 3   | 530  | 565  | 20  | 27 |
| 500  | 675      | 511.0         | 492.2  | 30               | 30 | 48        | 99  | 548       | 508.0  | 554       | 546  | -  | 3   | 585  | 620  | 20  | 27 |
| 550  | 745      | 562.0         | 543.0  | 32               | 34 | 52        | 111 | 604       | 558.8  | 610       | 597  | -  | 3   | 640  | 680  | 20  | 33 |
| 600  | 795      | 613.0         | 593.8  | 32               | 36 | 52        | 112 | 656       | 609.6  | 662       | 648  | -  | 3   | 690  | 730  | 24  | 33 |
| 650  | 845      | 664.0         | 644.6  | 34               | 38 | 56        | 116 | 706       | 660.4  | 712       | 700  | -  | 3   | 740  | 780  | 24  | 33 |
| 700  | 905      | 715.0         | 695.4  | 34               | 40 | 58        | 132 | 762       | 711.2  | 770       | 754  | -  | 3   | 800  | 840  | 24  | 33 |
| 750  | 970      | 766.0         | 746.2  | 36               | 44 | 62        | 139 | 816       | 762.0  | 824       | 807  | -  | 3   | 855  | 900  | 24  | 33 |
| 800  | 1020     | 817.0         | 797.0  | 36               | 46 | 64        | 139 | 868       | 812.8  | 876       | 858  | -  | 3   | 905  | 950  | 28  | 33 |
| 850  | 1070     | 868.0         | 847.8  | 36               | 48 | 66        | 139 | 920       | 863.6  | 928       | 908  | -  | 3   | 955  | 1000 | 28  | 33 |
| 900  | 1120     | 919.0         | 898.6  | 38               | 50 | 70        | 140 | 971       | 914.4  | 979       | 959  | -  | 3   | 1005 | 1050 | 28  | 33 |
| 1000 | 1235     | 1021.0        | 1000.2 | 40               | 56 | 74        | 151 | 1073      | 1016.0 | 1081      | 1065 | -  | 3   | 1110 | 1160 | 28  | 39 |
| 1100 | 1345     | 1122.0        | 1098.6 | 42               | 62 | 95        | 170 | 1175      | 1117.6 | 1185      | 1174 | -  | 3   | 1220 | 1270 | 28  | 39 |
| 1200 | 1465     | 1224.0        | 1200.2 | 44               | 66 | 101       | 182 | 1278      | 1219.2 | 1290      | 1281 | -  | 3   | 1325 | 1380 | 32  | 39 |
| 1350 | 1630     | 1376.0        | 1346.2 | 48               | 74 | 110       | 200 | 1432      | 1371.6 | 1450      | 1438 | -  | 3   | 1480 | 1540 | 36  | 45 |
| 1500 | 1795     | 1529.0        | 1498.6 | 50               | 82 | 123       | 218 | 1585      | 1524.0 | 1605      | 1598 | -  | 3   | 1635 | 1700 | 40  | 45 |

备注: (1) 法兰的端面应符合JIS B2202-2004 (2) 根据连接钢管的内径进行调整 (3) 带法兰, 此尺寸仅供参考 (4) 此值可四舍五入, 尺寸c为半径 (5) 该尺寸可根据有关各方之间的协议来确定

# JIS FLANGE 日标法兰 / 16K



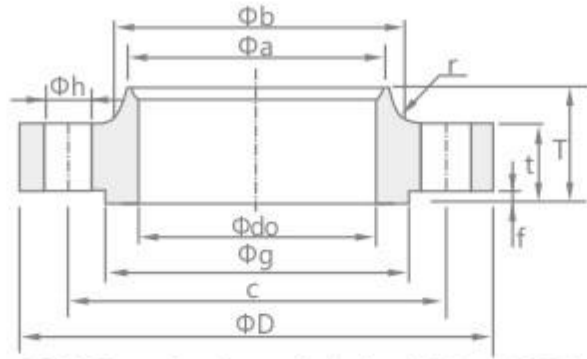
JIS B2220-2012

(mm)

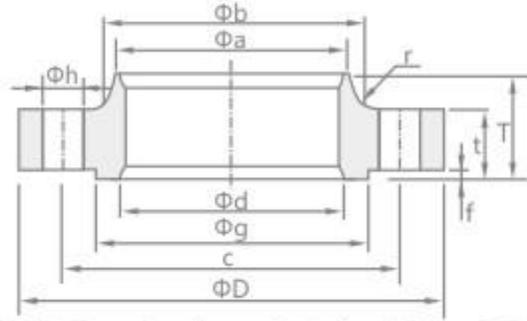
| 口径  | 法兰<br>外径 | 法兰内径          |       | 法兰厚度            | 法兰高度 |     | 颈小端            |       | 颈大端             |        | 深度 | 密封面 |     | 连接尺寸 |     |    |
|-----|----------|---------------|-------|-----------------|------|-----|----------------|-------|-----------------|--------|----|-----|-----|------|-----|----|
|     |          | SOP<br>SOH,SW | SW,WN | SOH, SW, WN, BL | TR   | WN  | SOH,SW<br>L,TR | WN,IT | SOH,SW/<br>L,TR | WN, IT |    | SW  | 高度  | 直径   | 孔中距 | 数量 |
| A   | D        | do            | d     | t               | T    | T   | a              | a     | b               | b      | S  | f   | g   | c    | n   | h  |
| 10  | 90       | 17.8          | 12.7  | 12              | 16   | 31  | 26             | 17.3  | 28              | 29     | 10 | 1   | 46  | 65   | 4   | 15 |
| 15  | 95       | 22.2          | 16.1  | 12              | 16   | 32  | 30             | 21.7  | 32              | 34     | 10 | 1   | 51  | 70   | 4   | 15 |
| 20  | 100      | 27.7          | 21.4  | 14              | 20   | 34  | 38             | 27.2  | 42              | 39     | 13 | 1   | 56  | 75   | 4   | 15 |
| 25  | 125      | 34.5          | 27.2  | 14              | 20   | 36  | 46             | 34.0  | 50              | 47     | 13 | 1   | 67  | 90   | 4   | 19 |
| 32  | 135      | 43.2          | 35.5  | 16              | 22   | 39  | 56             | 42.7  | 60              | 56     | 13 | 2   | 76  | 100  | 4   | 19 |
| 40  | 140      | 49.1          | 41.2  | 16              | 24   | 39  | 62             | 48.6  | 66              | 62     | 13 | 2   | 81  | 105  | 4   | 19 |
| 50  | 155      | 61.1          | 52.7  | 16              | 24   | 40  | 76             | 60.5  | 80              | 75     | 16 | 2   | 96  | 120  | 8   | 19 |
| 65  | 175      | 77.1          | 65.9  | 18              | 27   | 46  | 94             | 76.3  | 98              | 92     | 16 | 2   | 116 | 140  | 8   | 19 |
| 80  | 200      | 90.0          | 78.1  | 20              | 30   | 49  | 108            | 89.1  | 112             | 105    | 16 | 2   | 132 | 160  | 8   | 23 |
| 90  | 210      | 102.6         | 90.2  | 20              | -    | 50  | 120            | 101.6 | 124             | 118    | -  | 2   | 145 | 170  | 8   | 23 |
| 100 | 225      | 115.4         | 102.3 | 22              | 36   | 56  | 134            | 114.3 | 138             | 134    | -  | 2   | 160 | 185  | 8   | 23 |
| 125 | 270      | 141.2         | 126.6 | 22              | 40   | 60  | 164            | 139.8 | 170             | 162    | -  | 2   | 195 | 225  | 8   | 25 |
| 150 | 305      | 166.6         | 151.0 | 24              | 40   | 69  | 196            | 165.2 | 202             | 192    | -  | 2   | 230 | 260  | 12  | 25 |
| 200 | 350      | 218.0         | 199.9 | 26              | -    | 73  | 244            | 216.3 | 252             | 244    | -  | 2   | 275 | 305  | 12  | 25 |
| 250 | 430      | 269.5         | 248.8 | 28              | -    | 81  | 304            | 267.4 | 312             | 298    | -  | 2   | 345 | 380  | 12  | 27 |
| 300 | 480      | 321.0         | 297.9 | 30              | -    | 88  | 354            | 318.5 | 364             | 352    | -  | 3   | 395 | 430  | 16  | 27 |
| 350 | 540      | 358.1         | 333.4 | 34              | -    | 104 | 398            | 355.6 | 408             | 398    | -  | 3   | 440 | 480  | 16  | 33 |
| 400 | 605      | 409.0         | 381.0 | 38              | -    | 115 | 446            | 406.4 | 456             | 452    | -  | 3   | 495 | 540  | 16  | 33 |
| 450 | 675      | 460.0         | 431.8 | 40              | -    | 126 | 504            | 457.2 | 514             | 510    | -  | 3   | 560 | 605  | 20  | 33 |
| 500 | 730      | 511.0         | 482.6 | 42              | -    | 128 | 558            | 508.0 | 568             | 561    | -  | 3   | 615 | 660  | 20  | 33 |
| 550 | 795      | 562.0         | 533.4 | 44              | -    | 135 | 612            | 558.8 | 622             | 616    | -  | 3   | 670 | 720  | 20  | 39 |
| 600 | 845      | 613.0         | 584.2 | 46              | -    | 141 | 666            | 609.6 | 676             | 670    | -  | 3   | 720 | 770  | 24  | 39 |

备注: (1) 法兰的端面应符合JIS B2202-2004 (2) 根据连接钢管的内径进行调整 (3) 带法兰, 此尺寸供参考 (4) 此值可四舍五入, 尺寸c为半径 (5) 该尺寸可根据有关各方之间的协议来确定

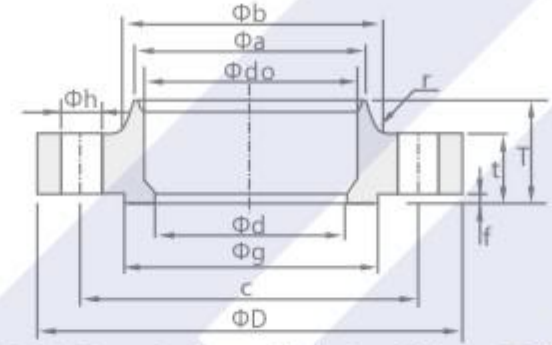
# JIS FLANGE 日标法兰 / 20K



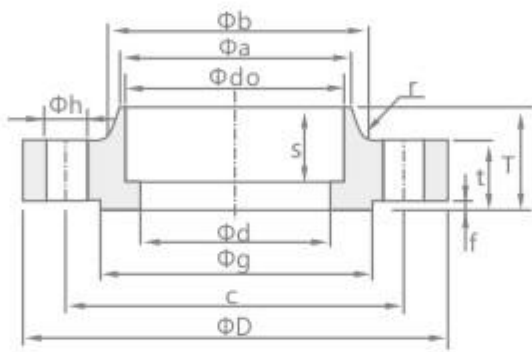
SOH Type A of nominal size 10A to 600A



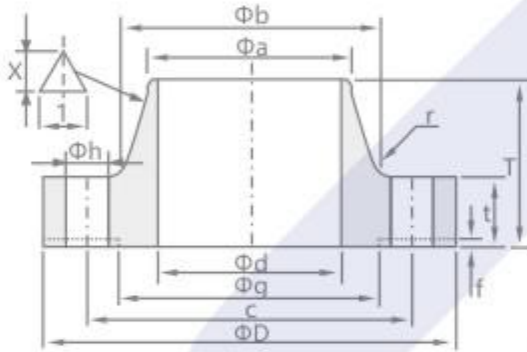
SOH Type B of nominal size 10A to 50A



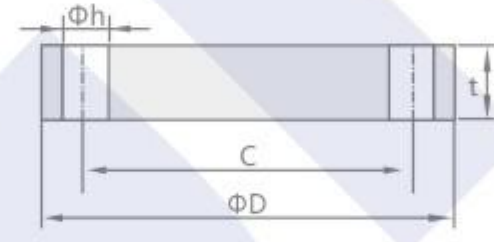
SOH Type C of nominal size 65A to 600A



SW of nominal size 10A to 80A



WN of nominal size 10A to 600A



BL of nominal size 10A to 600A

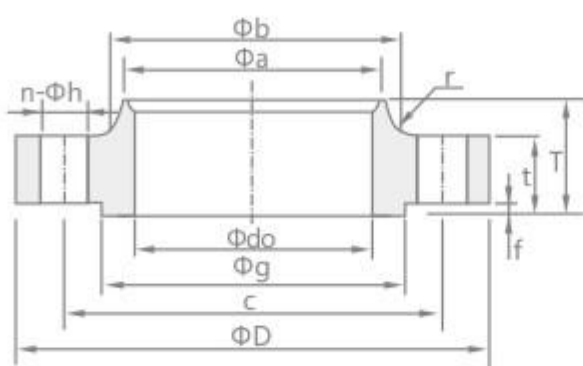
JIS B2220-2012

(mm)

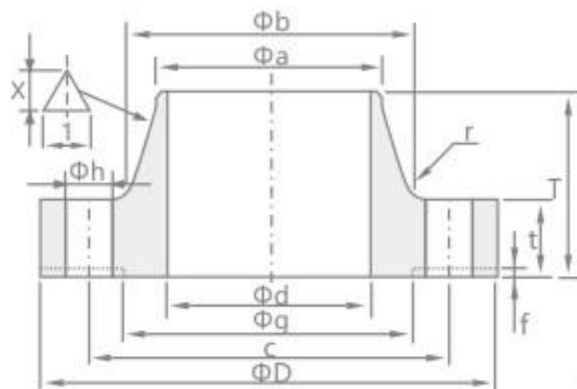
| 口径  | 法兰<br>外径 | 法兰内径   |              | 法兰厚度 | 法兰高度         |                 | 颈小端 |                 | 颈大端   |                 | 深度 | 密封面    |     | 连接尺寸 |    |     |
|-----|----------|--------|--------------|------|--------------|-----------------|-----|-----------------|-------|-----------------|----|--------|-----|------|----|-----|
|     |          | SOH,SW | SOH<br>SW,WN |      | SOH,SW,WN,BL | SOH,SW<br>LJ,TR | WN  | SOH,SW<br>LJ,TR | WN,IT | SOH,SW<br>LJ,TR |    | WN, IT | SW  | 高度   | 直径 | 孔中距 |
| A   | D        | do     | d            | t    | T            | T               | a   | a               | b     | b               | S  | f      | g   | c    | n  | h   |
| 10  | 90       | 17.8   | 12.7         | 14   | 20           | 33              | 30  | 17.3            | 32    | 29              | 10 | 1      | 46  | 65   | 4  | 15  |
| 15  | 95       | 22.2   | 16.1         | 14   | 20           | 34              | 34  | 21.7            | 36    | 34              | 10 | 1      | 51  | 70   | 4  | 15  |
| 20  | 100      | 27.7   | 21.4         | 16   | 22           | 36              | 40  | 27.2            | 42    | 39              | 13 | 1      | 56  | 75   | 4  | 15  |
| 25  | 125      | 34.5   | 27.2         | 16   | 24           | 38              | 48  | 34.0            | 50    | 47              | 13 | 1      | 67  | 90   | 4  | 19  |
| 32  | 135      | 43.2   | 35.5         | 18   | 26           | 41              | 56  | 42.7            | 60    | 56              | 13 | 2      | 76  | 100  | 4  | 19  |
| 40  | 140      | 49.1   | 41.2         | 18   | 26           | 41              | 62  | 48.6            | 66    | 62              | 13 | 2      | 81  | 105  | 4  | 19  |
| 50  | 155      | 61.1   | 52.7         | 18   | 26           | 42              | 76  | 60.5            | 80    | 75              | 16 | 2      | 96  | 120  | 8  | 19  |
| 65  | 175      | 77.1   | 65.9         | 20   | 30           | 48              | 100 | 76.3            | 104   | 92              | 16 | 2      | 116 | 140  | 8  | 19  |
| 80  | 200      | 90.0   | 78.1         | 22   | 34           | 51              | 113 | 89.1            | 117   | 105             | 16 | 2      | 132 | 160  | 8  | 23  |
| 90  | 210      | 102.6  | 90.2         | 24   | 36           | 54              | 126 | 101.6           | 130   | 118             | -  | 2      | 145 | 170  | 8  | 23  |
| 100 | 225      | 115.4  | 102.3        | 24   | 36           | 58              | 138 | 114.3           | 142   | 134             | -  | 2      | 160 | 185  | 8  | 23  |
| 125 | 270      | 141.2  | 126.6        | 26   | 40           | 64              | 166 | 139.8           | 172   | 162             | -  | 2      | 195 | 225  | 8  | 25  |
| 150 | 305      | 166.6  | 151.0        | 28   | 42           | 73              | 196 | 165.2           | 202   | 192             | -  | 2      | 230 | 260  | 12 | 25  |
| 200 | 350      | 218.0  | 199.9        | 30   | 46           | 77              | 244 | 216.3           | 252   | 244             | -  | 2      | 275 | 305  | 12 | 25  |
| 250 | 430      | 269.5  | 248.8        | 34   | 52           | 87              | 304 | 267.4           | 312   | 298             | -  | 2      | 345 | 380  | 12 | 27  |
| 300 | 480      | 321.0  | 297.9        | 36   | 56           | 94              | 354 | 318.5           | 364   | 352             | -  | 3      | 395 | 430  | 16 | 27  |
| 350 | 540      | 358.1  | 333.4        | 40   | 62           | 110             | 398 | 355.6           | 408   | 398             | -  | 3      | 440 | 480  | 16 | 33  |
| 400 | 605      | 409.0  | 381.0        | 46   | 70           | 123             | 446 | 406.4           | 456   | 452             | -  | 3      | 495 | 540  | 16 | 33  |
| 450 | 675      | 460.0  | 431.8        | 48   | 78           | 134             | 504 | 457.2           | 514   | 510             | -  | 3      | 560 | 605  | 20 | 33  |
| 500 | 730      | 511.0  | 482.6        | 50   | 84           | 136             | 558 | 508.0           | 568   | 561             | -  | 3      | 615 | 660  | 20 | 33  |
| 550 | 795      | 562.0  | 533.4        | 52   | 90           | 143             | 612 | 558.8           | 622   | 616             | -  | 3      | 670 | 720  | 20 | 39  |
| 600 | 845      | 613.0  | 584.2        | 54   | 96           | 149             | 666 | 609.6           | 676   | 670             | -  | 3      | 720 | 770  | 24 | 39  |

备注: (1) 法兰的端面应符合JIS B2202-2004 (2) 根据连接钢管的内径进行调整 (3) 带法兰, 此尺寸供参考 (4) 此值可四舍五入, 尺寸c为半径 (5) 该尺寸可根据有关各方之间的协议来确定

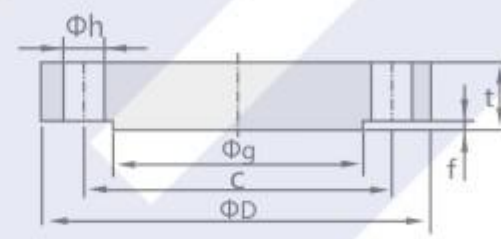
# JIS FLANGE 日标法兰 / 30K



SOH of nominal size 10A to 400A



WN of nominal size 15A to 400A



BL of nominal size 10A to 400A

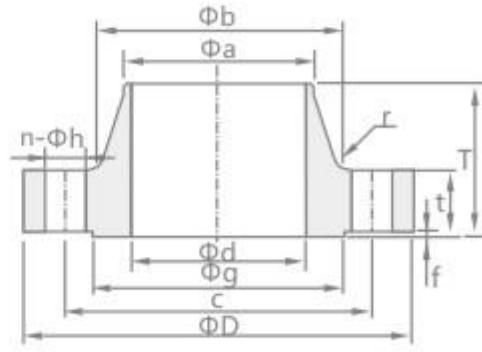
JIS B2220-2012

(mm)

| 口径  | 法兰<br>外径 | 法兰内径  |       | 法兰厚度         | 法兰高度 |     | 颈小端 |       | 颈大端 |     | 密封面 |     | 连接尺寸 |    |    |
|-----|----------|-------|-------|--------------|------|-----|-----|-------|-----|-----|-----|-----|------|----|----|
|     |          | SOH   | WN    | SOH,SW,WN,BL | SOH  | WN  | SOH | WN    | SOH | WN  | 高度  | 直径  | 孔中距  | 数量 | 孔径 |
| A   | D        | do    | d     | t            | T    | T   | a   | a     | b   | b   | f   | g   | c    | n  | h  |
| 10  | 110      | 17.8  | 12.7  | 16           | 24   | -   | 30  | -     | 34  | -   | 1   | 52  | 75   | 4  | 19 |
| 15  | 115      | 22.2  | 16.1  | 18           | 26   | 45  | 36  | 21.7  | 40  | 40  | 1   | 55  | 80   | 4  | 19 |
| 20  | 120      | 27.7  | 21.4  | 18           | 28   | 45  | 42  | 27.2  | 46  | 44  | 1   | 60  | 85   | 4  | 19 |
| 25  | 130      | 34.5  | 27.2  | 20           | 30   | 48  | 50  | 34.0  | 54  | 52  | 1   | 70  | 95   | 4  | 19 |
| 32  | 140      | 43.2  | 35.5  | 22           | 32   | 52  | 60  | 42.7  | 64  | 62  | 2   | 80  | 105  | 4  | 19 |
| 40  | 160      | 49.1  | 41.2  | 22           | 34   | 54  | 66  | 48.6  | 70  | 70  | 2   | 90  | 120  | 4  | 23 |
| 50  | 165      | 61.1  | 52.7  | 22           | 36   | 57  | 82  | 60.5  | 86  | 84  | 2   | 105 | 130  | 8  | 19 |
| 65  | 200      | 77.1  | 65.9  | 26           | 40   | 69  | 102 | 76.3  | 106 | 104 | 2   | 130 | 160  | 8  | 23 |
| 80  | 210      | 90.0  | 78.1  | 28           | 44   | 73  | 115 | 89.1  | 121 | 118 | 2   | 140 | 170  | 8  | 23 |
| 90  | 230      | 102.6 | 90.2  | 30           | 46   | 74  | 128 | 101.6 | 134 | 130 | 2   | 150 | 185  | 8  | 25 |
| 100 | 240      | 115.4 | 102.3 | 32           | 48   | 76  | 141 | 114.3 | 147 | 142 | 2   | 160 | 195  | 8  | 25 |
| 125 | 275      | 141.2 | 126.6 | 36           | 54   | 86  | 166 | 139.8 | 172 | 172 | 2   | 195 | 230  | 8  | 25 |
| 150 | 325      | 166.6 | 151.0 | 38           | 58   | 95  | 196 | 165.2 | 204 | 202 | 2   | 235 | 275  | 12 | 27 |
| 200 | 370      | 218.0 | 199.9 | 42           | 64   | 102 | 248 | 216.3 | 256 | 254 | 2   | 280 | 320  | 12 | 27 |
| 250 | 450      | 269.5 | 248.8 | 48           | 72   | 118 | 306 | 267.4 | 314 | 312 | 2   | 345 | 390  | 12 | 33 |
| 300 | 515      | 321.0 | 297.9 | 52           | 78   | 127 | 360 | 318.5 | 370 | 366 | 3   | 405 | 450  | 16 | 33 |
| 350 | 560      | 358.1 | 333.4 | 54           | 84   | 134 | 402 | 355.6 | 412 | 406 | 3   | 450 | 495  | 16 | 33 |
| 400 | 630      | 409.0 | 381.0 | 60           | 92   | 149 | 456 | 406.4 | 468 | 462 | 3   | 510 | 560  | 16 | 39 |

备注: (1) 法兰的端面应符合JIS B2202-2004 (2) 根据连接钢管的内径进行调整 (3) 带法兰, 此尺寸供参考 (4) 此值可四舍五入, 尺寸c为半径 (5) 该尺寸可根据有关各方之间的协议来确定

# JIS FLANGE 日标法兰 / 40K/63K



WN of nominal size 10A to 400A



BL of nominal size 10A to 400A

JIS B2220-2012

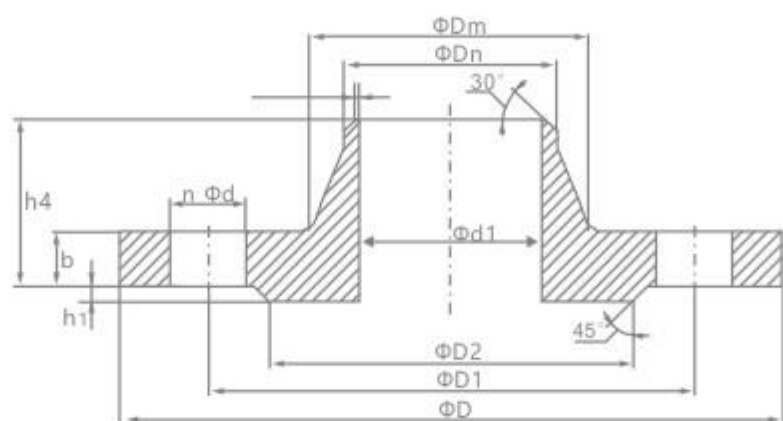
(mm)

| 口径<br>A    | 法兰<br>外径<br>D | 法兰内径    |  | 法兰<br>厚度<br>t | 法兰<br>高度<br>T | 颈部直径  |     | 凸面      |         | 连接尺寸     |         |         |
|------------|---------------|---------|--|---------------|---------------|-------|-----|---------|---------|----------|---------|---------|
|            |               | WN<br>d |  |               |               | a     | b   | 高度<br>f | 直径<br>g | 孔中距<br>C | 数量<br>n | 孔径<br>h |
| <b>40K</b> |               |         |  |               |               |       |     |         |         |          |         |         |
| 15         | 115           | 15.8    |  | 20            | 53            | 21.7  | 40  | 1       | 55      | 80       | 4       | 19      |
| 20         | 120           | 21.1    |  | 20            | 58            | 27.2  | 45  | 1       | 60      | 85       | 4       | 19      |
| 25         | 130           | 26.8    |  | 22            | 63            | 34.0  | 54  | 1       | 70      | 95       | 4       | 19      |
| 32         | 140           | 35.1    |  | 24            | 69            | 42.7  | 62  | 2       | 80      | 105      | 4       | 19      |
| 40         | 160           | 40.7    |  | 24            | 72            | 48.6  | 72  | 2       | 90      | 120      | 4       | 23      |
| 50         | 165           | 52.2    |  | 26            | 75            | 60.5  | 88  | 2       | 105     | 130      | 8       | 19      |
| 65         | 200           | 65.3    |  | 30            | 81            | 76.3  | 108 | 2       | 130     | 160      | 8       | 23      |
| 80         | 210           | 76.4    |  | 32            | 85            | 89.1  | 119 | 2       | 140     | 170      | 8       | 23      |
| 90         | 230           | 89.5    |  | 34            | 88            | 101.6 | 130 | 2       | 150     | 185      | 8       | 25      |
| 100        | 250           | 101.5   |  | 36            | 104           | 114.3 | 146 | 2       | 165     | 205      | 8       | 25      |
| 125        | 300           | -       |  | 40            | -             | -     | -   | 2       | 200     | 250      | 8       | 27      |
| 150        | 355           | 150     |  | 44            | 120           | 165.2 | 215 | 2       | 240     | 295      | 12      | 33      |
| 200        | 405           | 198.7   |  | 50            | 135           | 216.3 | 270 | 2       | 290     | 345      | 12      | 33      |
| 250        | 475           | 247.5   |  | 56            | 154           | 267.4 | 333 | 2       | 355     | 410      | 12      | 33      |
| 300        | 540           | 296.4   |  | 60            | 159           | 318.5 | 400 | 3       | 410     | 470      | 16      | 39      |
| 350        | 585           | 331.8   |  | 64            | 168           | 355.6 | 432 | 3       | 455     | 515      | 16      | 39      |
| 400        | 645           | 379.1   |  | 70            | 181           | 406.4 | 466 | 3       | 515     | 570      | 16      | 39      |
| <b>63K</b> |               |         |  |               |               |       |     |         |         |          |         |         |
| 15         | 120           | 15.8    |  | 23            | 61            | 21.7  | 42  | 1       | 55      | 85       | 4       | 19      |
| 20         | 135           | 21.1    |  | 25            | 71            | 27.2  | 46  | 1       | 60      | 95       | 4       | 23      |
| 25         | 140           | 26.8    |  | 27            | 74            | 34.0  | 56  | 1       | 70      | 100      | 4       | 23      |
| 32         | 150           | 35.1    |  | 30            | 75            | 42.7  | 60  | 2       | 80      | 110      | 4       | 23      |
| 40         | 175           | 40.7    |  | 32            | 85            | 48.6  | 75  | 2       | 90      | 130      | 4       | 25      |
| 50         | 185           | 52.2    |  | 34            | 104           | 60.5  | 92  | 2       | 105     | 145      | 8       | 23      |
| 65         | 220           | 65.3    |  | 38            | 107           | 76.3  | 118 | 2       | 130     | 175      | 8       | 25      |
| 80         | 230           | 76.4    |  | 40            | 120           | 89.1  | 130 | 2       | 140     | 185      | 8       | 25      |
| 90         | 255           | 89.5    |  | 42            | 126           | 101.6 | 140 | 2       | 150     | 205      | 8       | 27      |
| 100        | 270           | 101.5   |  | 44            | 126           | 114.3 | 154 | 2       | 165     | 220      | 8       | 27      |
| 125        | 325           | -       |  | 50            | -             | -     | -   | 2       | 200     | 265      | 8       | 33      |
| 150        | 365           | 150.0   |  | 54            | 173           | 165.2 | 230 | 2       | 240     | 305      | 12      | 33      |
| 200        | 425           | 198.7   |  | 60            | 215           | 216.3 | 280 | 2       | 290     | 360      | 12      | 33      |
| 250        | 500           | 247.5   |  | 68            | 256           | 267.4 | 348 | 2       | 355     | 430      | 12      | 39      |
| 300        | 560           | 296.4   |  | 77            | 286           | 318.5 | 402 | 3       | 410     | 485      | 16      | 39      |
| 350        | 615           | 331.8   |  | 81            | 301           | 355.6 | 438 | 3       | 455     | 530      | 16      | 46      |
| 400        | 680           | 379.1   |  | 89            | 314           | 406.4 | 490 | 3       | 515     | 590      | 16      | 46      |

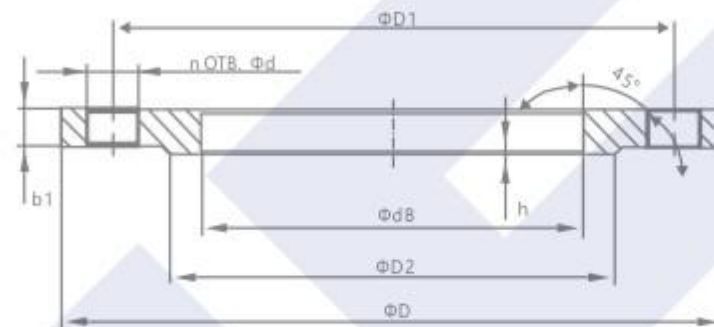
备注: (1) 法兰的端面应符合JIS B2202-2004 (2) 根据连接钢管的内径进行调整 (3) 带法兰, 此尺寸供参考 (4) 此值可四舍五入, 尺寸c为半径 (5) 该尺寸可根据有关各方之间的协议来确定

# RUSSIAN STANDARD FLANGE 俄标法兰

PN=1.6MNA (16krc/cm<sup>2</sup>)



GOST 12820-80 带颈平焊法兰



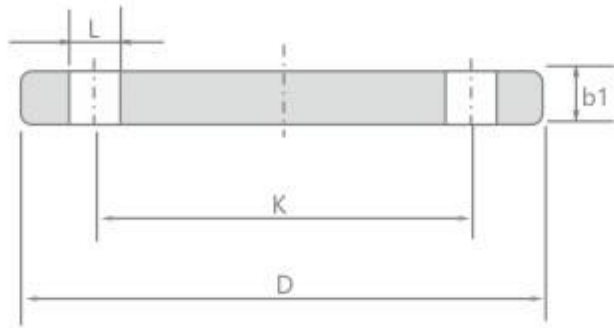
GOST 12821-80 平焊法兰

(mm)

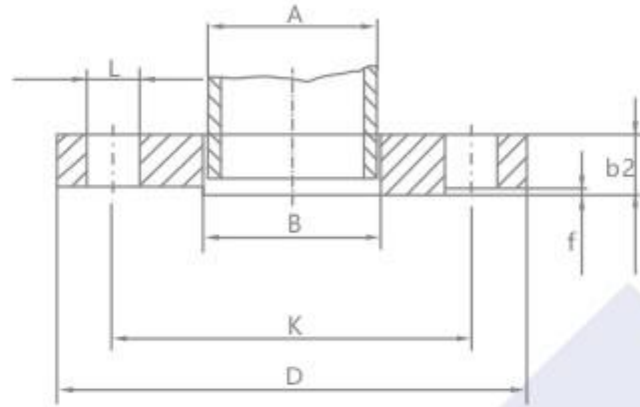
| 口径<br>Dy | 法兰外径<br>D | 法兰内径 |      | 密封面  |   |    | 孔径<br>d | 孔中距<br>D1 | 颈小端<br>Dn | 法兰颈<br>Dm | 螺栓孔数量<br>n (个)<br>K-BO OTB.n<br>WT. | 法兰厚度 |    | 法兰高度<br>h4 | 重量 (kg) |        |        |       |
|----------|-----------|------|------|------|---|----|---------|-----------|-----------|-----------|-------------------------------------|------|----|------------|---------|--------|--------|-------|
|          |           | d1   | dB   | D2   | h | h1 |         |           |           |           |                                     | b    | b1 |            | 12820   | 12821  |        |       |
| 15       | 95        | 12   | 19   | 47   | 2 | 3  |         | 65        | 19        | 30        | 4                                   | 12   | 12 | 33         | 0.61    | 0.68   |        |       |
| 20       | 105       | 18   | 26   | 58   | 2 | 3  | 14      | 75        | 26        | 38        |                                     | 14   | 12 | 36         | 0.86    | 0.87   |        |       |
| 25       | 115       | 25   | 33   | 68   | 2 | 3  |         | 85        | 33        | 45        |                                     | 16   | 12 | 38         | 1.17    | 1.05   |        |       |
| 32       | 135       | 31   | 39   | 78   | 2 | 3  |         | 100       | 39        | 55        |                                     | 16   | 13 | 40         | 1.58    | 1.54   |        |       |
| 40       | 145       | 38   | 46   | 88   | 3 | 4  |         | 110       | 46        | 64        |                                     | 17   | 13 | 42         | 1.96    | 1.85   |        |       |
| 50       | 160       | 49   | 59   | 102  | 3 | 4  |         | 125       | 59        | 76        |                                     | 19   | 13 | 45         | 2.58    | 2.28   |        |       |
| 65       | 180       | 66   | 78   | 122  | 3 | 4  | 18      | 145       | 78        | 94        | 8                                   | 21   | 15 | 47         | 3.42    | 3.19   |        |       |
| 80       | 195       | 78   | 91   | 133  | 3 | 4  |         | 160       | 91        | 110       |                                     | 21   | 17 | 50         | 3.71    | 4.21   |        |       |
| 100      | 215       | 98   | 110  | 158  | 3 | 4  |         | 180       | 110       | 130       |                                     | 23   | 17 | 50         | 4.73    | 4.90   |        |       |
| 125      | 245       | 121  | 135  | 184  | 3 | 4  |         | 210       | 135       | 156       |                                     | 25   | 19 | 57         | 6.38    | 6.75   |        |       |
| 150      | 280       | 146  | 161  | 212  | 3 | 4  |         | 240       | 161       | 180       |                                     | 25   | 19 | 57         | 7.81    | 8.30   |        |       |
| 200      | 335       | 202  | 222  | 268  | 3 | 4  | 22      | 295       | 222       | 240       |                                     | 12   | 27 | 21         | 58      | 10.1   | 11.79  |       |
| 250      | 405       | 254  | 273  | 320  | 3 | 4  |         | 355       | 273       | 292       | 28                                  |      | 23 | 65         | 14.49   | 17.36  |        |       |
| 300      | 460       | 303  | 325  | 370  | 4 | 5  | 26      | 410       | 325       | 346       | 16                                  |      | 28 | 24         | 66      | 17.78  | 22.76  |       |
| 350      | 520       | 351  | 377  | 430  | 4 | 5  |         | 470       | 377       | 400       |                                     |      | 30 | 28         | 70      | 22.88  | 32.04  |       |
| 400      | 580       | 398  | 426  | 482  | 4 | 5  | 30      | 525       | 426       | 450       |                                     |      | 20 | 34         | 32      | 75     | 31     | 43.00 |
| 500      | 710       | 501  | 530  | 585  | 4 | 5  | 33      | 650       | 530       | 559       |                                     |      |    | 44         | 38      | 90     | 57.01  | 70.97 |
| 600      | 840       | 602  | 630  | 685  | 5 | 6  | 36      | 770       | 636       | 660       |                                     | 45   |    | 41         | 90      | 80.03  | 99.30  |       |
| 800      | 1020      | -    | 820  | 905  | 5 | -  | 39      | 950       | 820       | -         |                                     | 24   |    | 49         | -       | -      | 104.41 | -     |
| 1000     | 1255      | -    | 1020 | 1110 | 5 | -  | 45      | 1170      | 1020      | -         | 28                                  | 58   |    | -          | -       | 179.37 | -      |       |
| 1200     | 1485      | -    | 1220 | 1330 | 5 | -  | 52      | 1390      | 1220      | -         | 32                                  | 71   |    | -          | -       | 297.78 | -      |       |

# DIN FLANGE 德标法兰

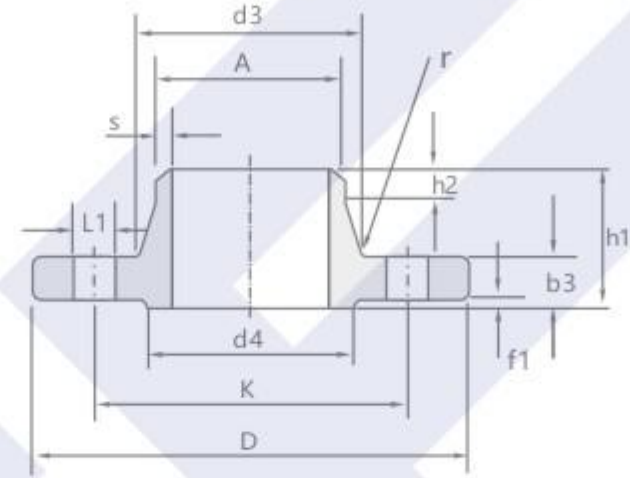
PN=16



DIN 2527



DIN 2577



DIN 2633

(mm)

| 公称通径<br>DN | 管子外径<br>A | 法兰外径<br>D | 螺栓孔中心圆直径<br>K | 螺栓孔径<br>L | 螺栓      |           | 密封面 |   |    | 法兰厚度 |    |    | 法兰内径<br>2577<br>B | 法兰颈 |     |    |    | 法兰高度<br>h1 |
|------------|-----------|-----------|---------------|-----------|---------|-----------|-----|---|----|------|----|----|-------------------|-----|-----|----|----|------------|
|            |           |           |               |           | 数量<br>n | 螺栓<br>Th· | d   | f | f1 | b1   | b2 | b3 |                   | d3  | s   | r  | h2 |            |
| 10         | 17.2      | 90        | 60            | 14        | 4       | M12       | 41  | 2 | 2  | 14   | 14 | 14 | 18.0              | 28  | 1.8 | 4  | 6  | 35         |
| 15         | 21.3      | 95        | 65            | 14        | 4       | M12       | 46  | 2 | 2  | 14   | 14 | 14 | 22.0              | 32  | 2.0 | 4  | 6  | 35         |
| 20         | 26.9      | 105       | 75            | 14        | 4       | M12       | 56  | 2 | 2  | 16   | 16 | 16 | 27.5              | 40  | 2.3 | 4  | 6  | 38         |
| 25         | 33.7      | 115       | 85            | 14        | 4       | M12       | 65  | 3 | 2  | 16   | 16 | 16 | 34.5              | 45  | 2.6 | 4  | 6  | 38         |
| 32         | 42.4      | 140       | 100           | 18        | 4       | M16       | 76  | 3 | 2  | 16   | 18 | 16 | 43.5              | 56  | 2.6 | 6  | 6  | 40         |
| 40         | 48.3      | 150       | 110           | 18        | 4       | M16       | 84  | 3 | 3  | 16   | 18 | 16 | 49.5              | 64  | 2.6 | 6  | 7  | 42         |
| 50         | 60.3      | 165       | 125           | 18        | 4       | M16       | 99  | 3 | 3  | 18   | 20 | 18 | 61.5              | 75  | 2.9 | 6  | 8  | 45         |
| 65         | 76.1      | 185       | 145           | 18        | 4       | M16       | 118 | 3 | 3  | 18   | 20 | 18 | 77.5              | 90  | 2.9 | 6  | 10 | 45         |
| 80         | 88.9      | 200       | 160           | 18        | 8       | M16       | 132 | 3 | 3  | 20   | 20 | 20 | 90.5              | 105 | 3.2 | 8  | 10 | 50         |
| 100        | 114.3     | 220       | 180           | 18        | 8       | M16       | 156 | 3 | 3  | 20   | 22 | 20 | 116.0             | 131 | 3.6 | 8  | 12 | 52         |
| 125        | 139.7     | 250       | 210           | 18        | 8       | M16       | 184 | 3 | 3  | 22   | 22 | 22 | 141.5             | 156 | 4.0 | 8  | 12 | 55         |
| 150        | 168.3     | 285       | 240           | 22        | 8       | M20       | 211 | 3 | 3  | 22   | 24 | 22 | 170.5             | 184 | 4.5 | 10 | 12 | 55         |
| 200        | 219.1     | 340       | 295           | 22        | 12      | M120      | 266 | 3 | 3  | 24   | 26 | 24 | 221.5             | 235 | 5.9 | 10 | 16 | 62         |
| 250        | 273.0     | 405       | 355           | 26        | 12      | M24       | 319 | 3 | 3  | 26   | 29 | 26 | 276.5             | 292 | 6.3 | 12 | 16 | 70         |
| 300        | 323.9     | 460       | 410           | 26        | 12      | M24       | 370 | 4 | 4  | 28   | 32 | 28 | 327.5             | 344 | 7.1 | 12 | 16 | 78         |
| 350        | 355.6     | 520       | 470           | 26        | 16      | M24       | 429 | 4 | 4  | 30   | 35 | 30 | 359.0             | 390 | 8.0 | 12 | 16 | 82         |
| 400        | 406.4     | 580       | 525           | 30        | 16      | M27       | 480 | 4 | 4  | 32   | 38 | 32 | 411.0             | 445 | 8.0 | 12 | 16 | 85         |
| 450        | 457.0     | 640       | 585           | 26        | 20      | M27       | 548 | 4 | -  | -    | 42 | -  | 462.0             | 131 | 3.6 | 8  | 12 | 52         |
| 500        | 508.0     | 715       | 650           | 33        | 20      | M30       | 609 | 4 | 4  | 36   | 46 | 34 | 513.5             | 548 | 8.0 | 12 | 16 | 90         |
| 600        | 610.0     | 840       | 770           | 36        | 20      | M33       | 720 | 5 | 5  | 38   | 52 | 36 | 616.5             | 652 | 8.8 | 12 | 18 | 95         |